



# UV Ballast Catalog

## 2023





# Don't See It? Ask For It!

Niche Lighting Technologies (NLT) develops and supplies Germicidal UV power supplies for air and water purification applications. NLT thrives within an underserved gap in the lighting industry by catering to those in need of custom lighting solutions. If you require a component that you do not see among our standard offerings below, please ask!

## Table of Contents

≥ 800 mA UV Ballasts	4	NLT295-800-PH-UNV	NLT295-950-PH-UNV	
	5	NLT275-800-PH-UNV	NLT275-950-PH-UNV	
	6	NLT235-800-PH-UNV		
	7	NLT325-PH-MLT		
	8	NLT1150-800-PH-UNV		
	9	NLB1S96PSUNV		
	10	NLB1P800PSUNV		
	11	NLT140-800-PH-UNV		
	<400 mA UV Ballasts	12	NLT241-400-PH-UNV	
		13	NLT218-400-PH-UNV	NLT218-160-PH-UNV
		14	NLB2S26PSUNV-C	
15		NLB2S54PSUNV		
16		NLB4P32ISUNVHE		



<400 mA UV Ballasts

- 17 NLT141-400-PH-UNV
- 18 NLB1P400PSUNVH    NLB1P400PSUNV
- 19 NLT120-115-UV
- 20 NLT230-287-UV

Low Voltage & Other

- 21 NLT114-PH-24V
- 22 24VAC Transformer, 40VA
- 23 NLT158-800-PH-24V
- 24 NLT400U-PH-24V    NLT400U-PH-48V
- 25 NLT203-T2-MLT

Tanning Ballasts

- 26 NLT2-160-230    NLT2-180-230
- 27 NLT2-200-230    NLT2-200-230-DALI
- 28 NLT3-120-230

30 Warranty / Terms & Conditions



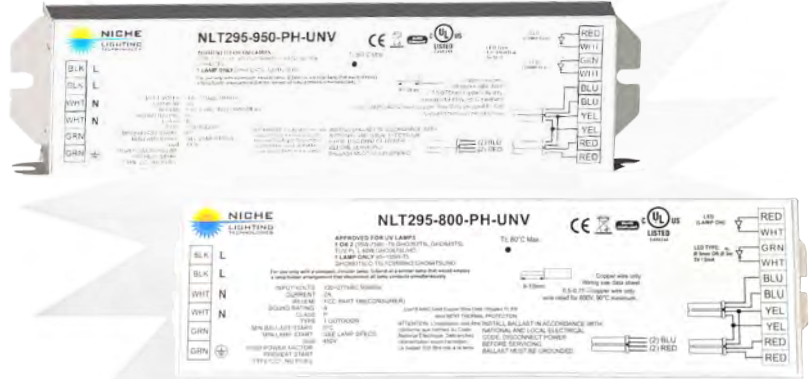
RoHS COMPLIANT



# NLT295-800-PH-UNV NLT295-950-PH-UNV

## Features & Benefits:

- Varieties for use with 800 mA or 1000 mA UV Lamps
- Line Voltage: 120-277V 50/60Hz
- Capable of monitoring UV Lamp by external LED
- Lamp End of Life Protection
- Program Start
- Active Power Factor Correction
- Type CC



## Scan QR Code for Spec Sheet & Lamp Compatibility:



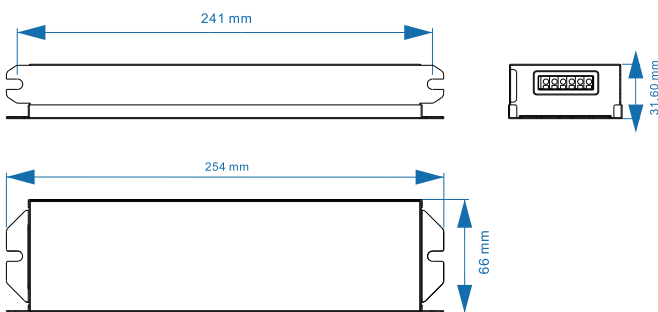
NLT295-800-PH-UNV



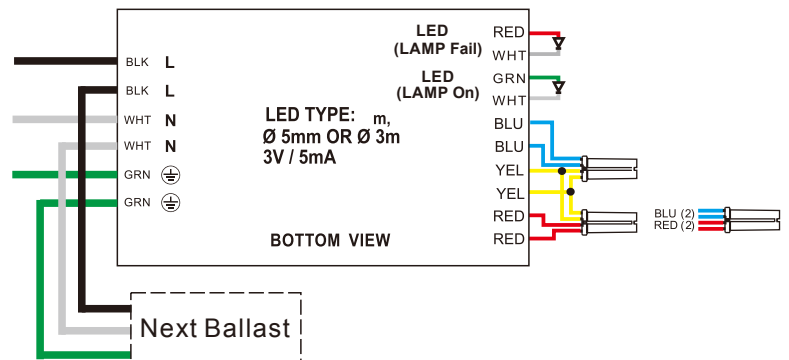
NLT295-950-PH-UNV

## MECHANICAL DATA

(mm)



## WIRING DIAGRAM





# NLT275-800-PH-UNV NLT275-950-PH-UNV

## Features & Benefits:

- Varieties for use with 800 mA or 1000 mA UV Lamps
- Line Voltage: 120-277V 50/60Hz
- Capable of monitoring UV Lamp by external LED
- Lamp End of Life Protection
- Program Preheat Start
- Active Power Factor Correction
- Type CC



## Scan QR Code for Spec Sheet & Lamp Compatibility:

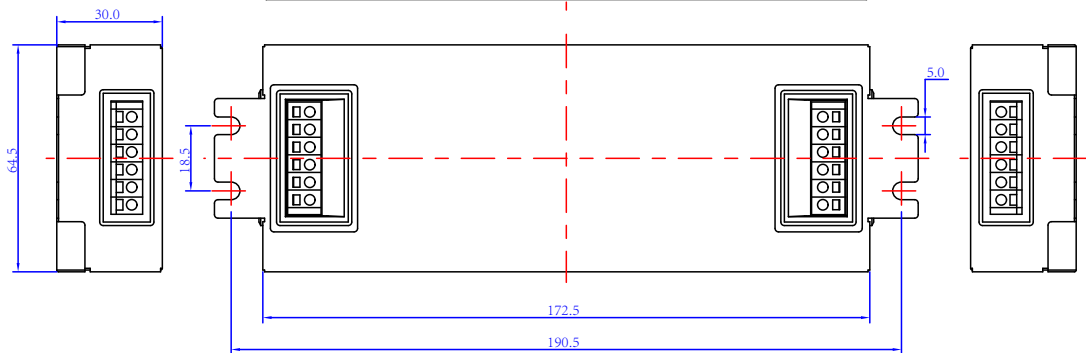


NLT275-800-PH-UNV

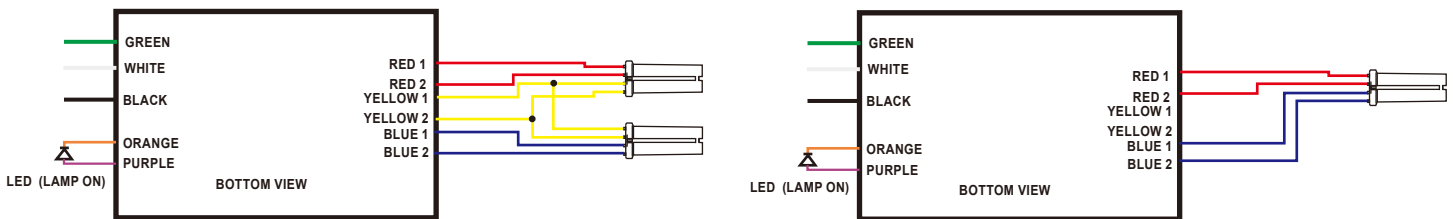
NLT275-950-PH-UNV

## PHYSICAL PARAMETERS:

Mounting Length: 190.5 mm (7.5")  
Width: 64.5 mm (2.54")  
Height: 30 mm (1.18")  
Weight: 0.44kg (0.97LB)



## WIRING DIAGRAMS:



LED TYPE: Ø 5mm OR Ø 3mm, 3V / 5mA  
Use Wire Rated 300V, 90°C min. Use 18 AWG Solid Copper Wire Only Stripped 3/8"  
**NOTE : This Ballast Case Must Be Grounded**



# NLT235-800-PH-UNV

## Features & Benefits:

- For use with 800 mA UV Lamps
- Approved for 1 (60~95W ) T5 UV
- Approved for 1 OR 2 (21W-48W) T5 UV
- Line Voltage: 120-277V 50/60Hz
- Push-in connectors
- Active Power Factor Correction
- Lamp End of Life Protection
- Program Start
- Type CC

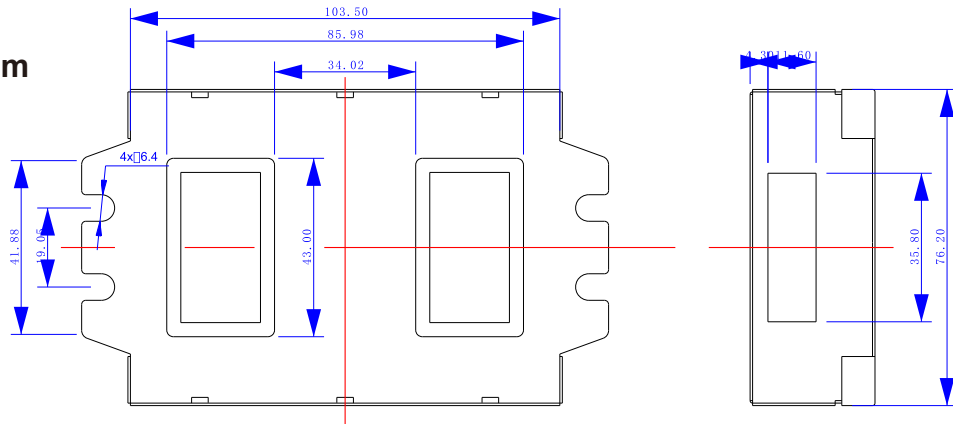
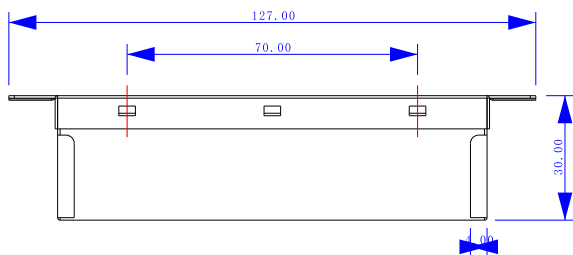


Scan QR Code for Spec Sheet & Lamp Compatibility:

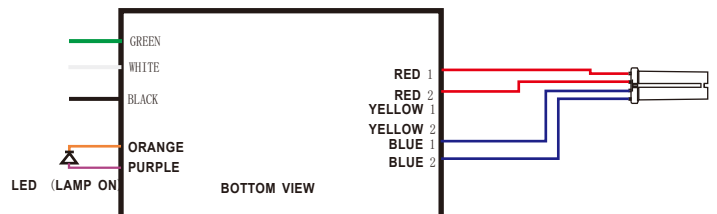
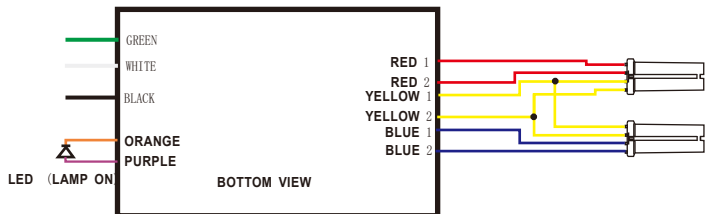


## Physical Parameters

Mounting Length: 127mm, Width: 76 mm  
Height: 30 mm, Weight: 0.68kg



## Wiring Diagram:



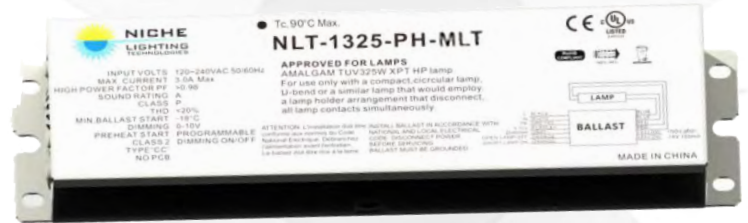
LED TYPE: Ø 5mm OR Ø 3mm, 3V / 5mA  
Use Wire Rated 600V, 90°C min. Use 18 AWG Solid Copper Wire Only Stripped 3/8"  
NOTE : This Ballast Case Must Be Grounded



# NLT1325-PH-MLT

## Features & Benefits:

- Line Voltage: 108-264V 50/60Hz
- For Air & Water purification applications
- Lamp End of Life Protection
- 0-10V Dimming offers smooth dimming from 50% - 100%
- Short circuit and open load protection
- Remote Enable/Disable Function to turn power ON/OFF

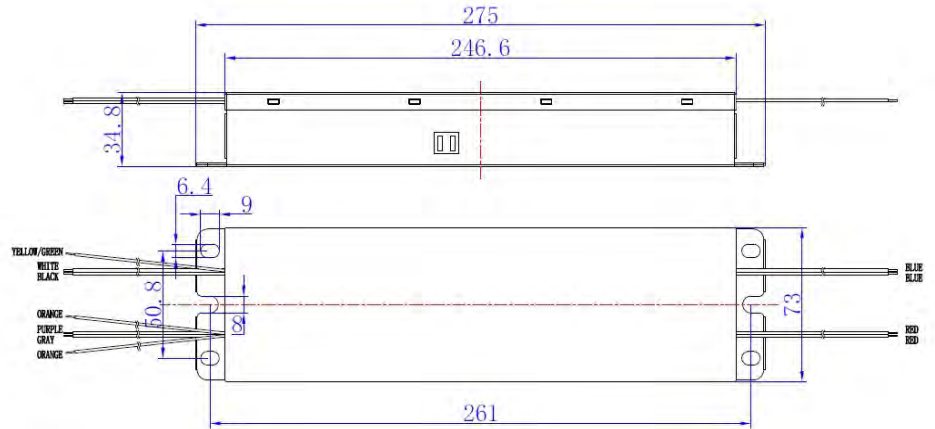


## Scan QR Code for Spec Sheet & Lamp Compatibility:



## MECHANICAL DATA

(mm)



## WIRING DIAGRAM





# NLT1150-800-PH-UNV

## Features & Benefits:

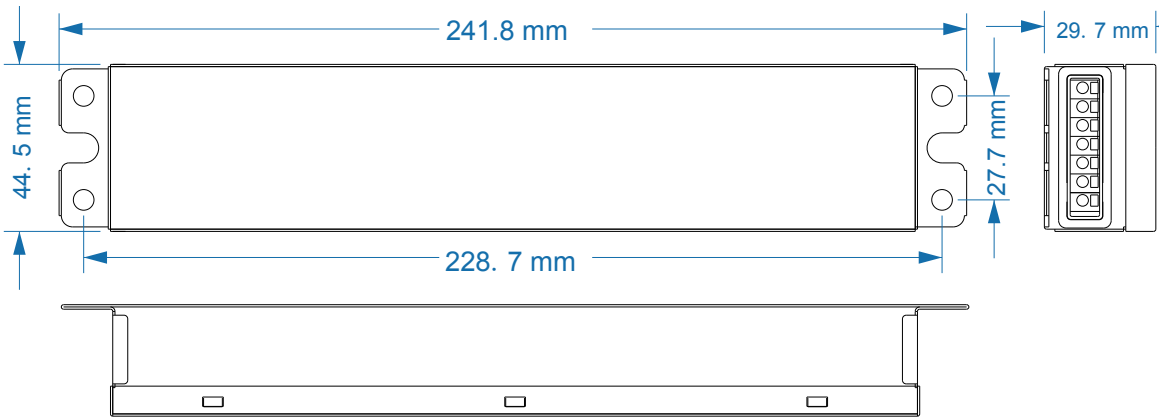
- For use with 42" to 61" T5 UV Lamps, 800 mA
- Line Voltage: 120-277V 50/60Hz
- Push-in connectors
- For use with 800 mA UV Lamps
- Lamp End of Life Protection
- Program Start
- Active Power Factor Correction
- Type CC



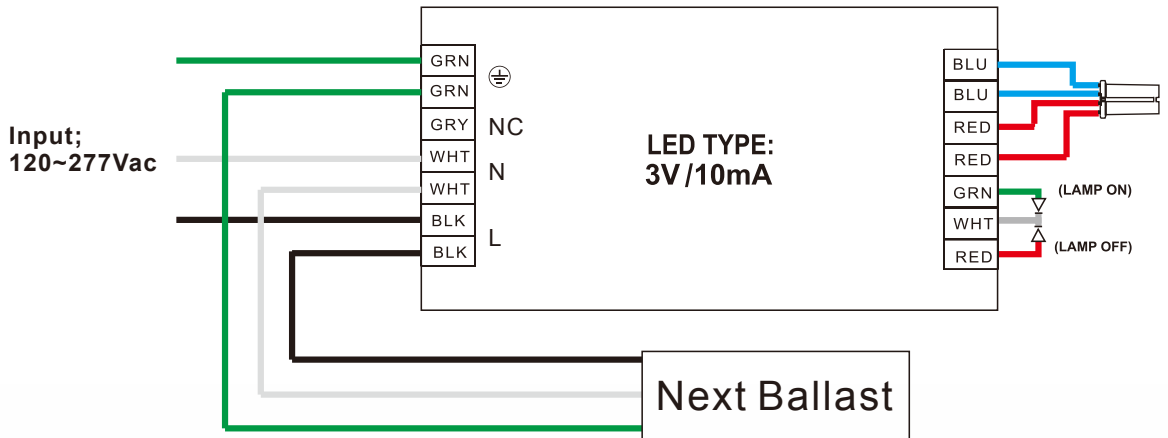
## Scan QR Code for Spec Sheet & Lamp Compatibility:



## MECHANICAL DATA (mm)



## WIRING DIAGRAM







# NLB1S96PSUNV

## Features & Benefits:

- For use with 42" to 61" T5 UV Lamps, 800 mA
- Line Voltage: 120-277V 50/60Hz
- For use with 800 mA UV Lamps
- Lamp End of Life Protection
- Program Start
- Active Power Factor Correction
- Type CC

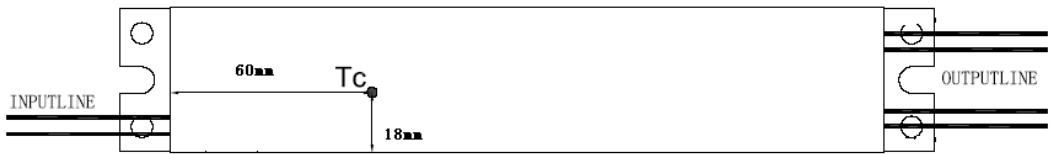


## Scan QR Code for Spec Sheet & Lamp Compatibility:

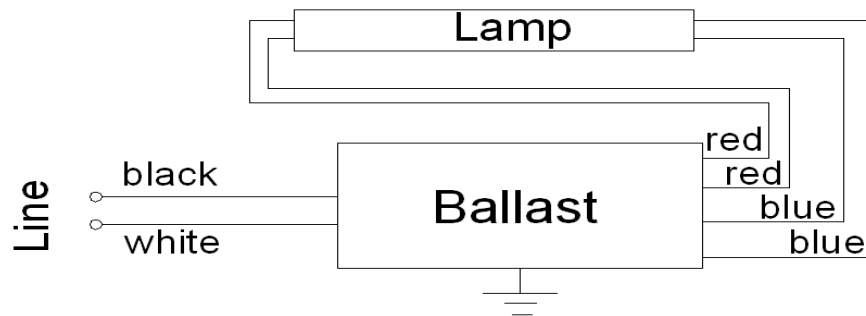


## MECHANICAL DATA (mm)

Length	9.5"/242mm
Width	1.7"/44mm
Height	1.2"/31mm
Mounting	9"/228mm
Weight	1.3 lbs/589g



## WIRING DIAGRAM





# NLB1P800PSUNV

## Features & Benefits:

- For use with 24" to 42" T5 UV Lamps, 800 mA
- Line Voltage: 120-277V 50/60Hz
- For use with 800 mA UV Lamps
- Lamp End of Life Protection
- Program Start
- Active Power Factor Correction
- Type CC



## Scan QR Code for Spec Sheet & Lamp Compatibility:

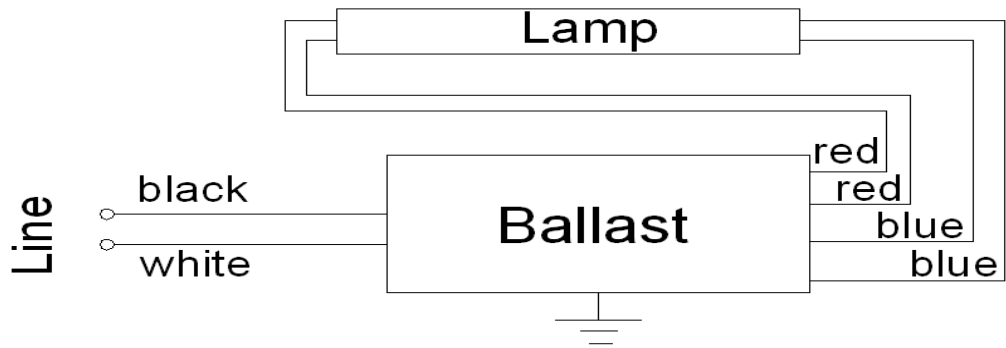


## MECHANICAL DATA (mm)

Length	9.75"/248mm
Width	1.5"/38mm
Height	1.2"/31mm
Mounting	8.9"/226mm
Weight	1.3 lbs/589g



## WIRING DIAGRAM





# NLT140-800-PH-UNV

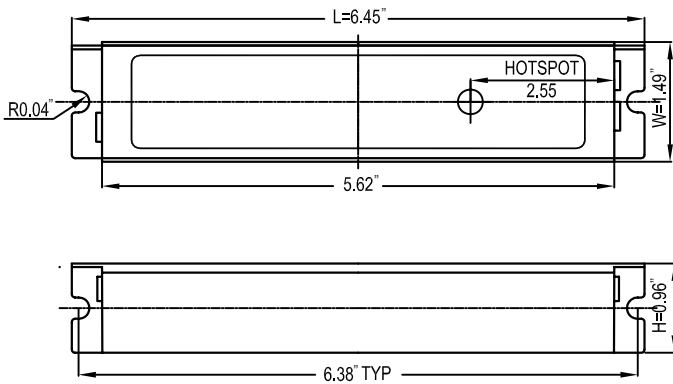
## Features & Benefits:

- Line Voltage: 120-277V 50/60Hz
- For use with 800 mA UV Lamps
- Lamp End of Life Protection
- Program Start
- Active Power Factor Correction
- Type CC

## Scan QR Code for Spec Sheet & Lamp Compatibility:

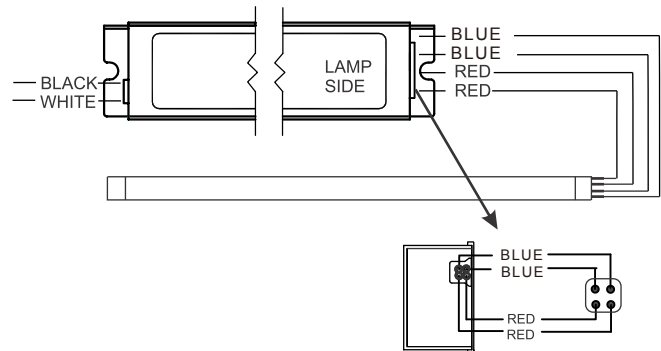


## MECHANICAL DATA (inch)



## WIRING DIAGRAMS

WIRE	BLACK	WHITE	RED	BLUE
LENGTH - INCHES	12±0.25"	12±0.25"	15±0.25"	15±0.25"



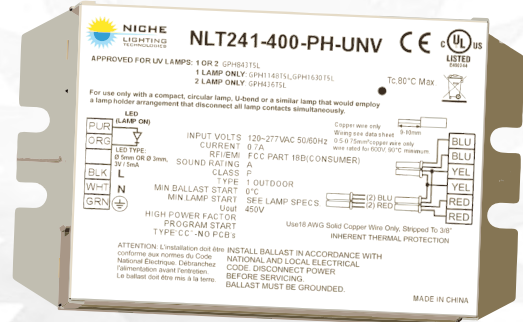
NOTE : This Ballast Must Be Grounded



# NLT241-400-PH-UNV

## Features & Benefits:

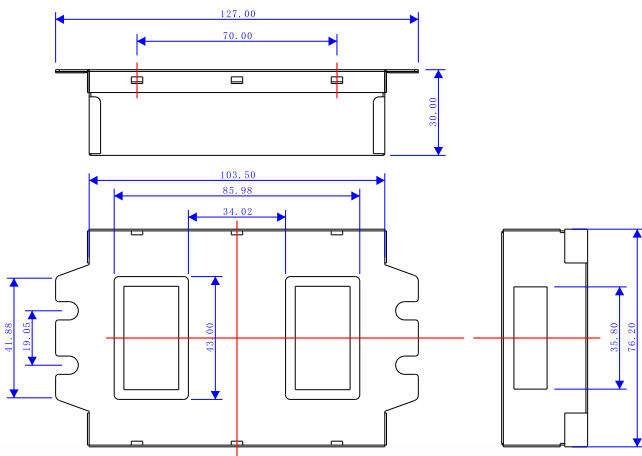
- Approved for 1 Lamp 60~80W-T5
- Approved for 1 or 2 (41W) -T5
- Approved for 2 Lamp 21W-T5
- Line Voltage: 120-277V 50/60Hz
- Push-in Connectors
- For use with 400 mA UV Lamps
- Lamp End of Life Protection
- Program Start
- Active Power Factor Correction
- Type CC



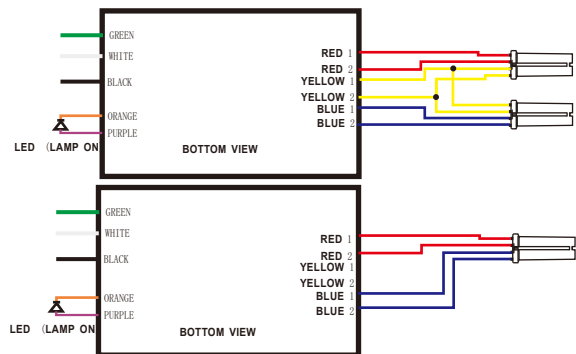
## Scan QR Code for Spec Sheet & Lamp Compatibility:



## MECHANICAL DATA (mm)



## WIRING DIAGRAMS



LED TYPE: Ø 5mm OR Ø 3mm, 3V / 5mA  
 Use Wire Rated 600V, 90°C min. Use 18 AWG Solid Copper Wire Only Stripped 3/8"  
 NOTE : This Ballast Case Must Be Grounded



# NLT218-400-PH-UNV NLT218-160-PH-UNV

## Features & Benefits:

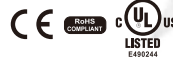
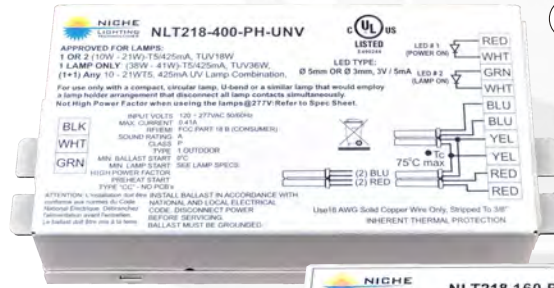
- Varieties for use with 425 mA or 160 mA UV Lamps
- Line Voltage: 120-277V 50/60Hz
- Capable of monitoring UV Lamp by external LED
- Lamp End of Life Protection
- Program Start
- Active Power Factor Correction
- Type CC

## Scan QR Code for Spec Sheet & Lamp Compatibility:

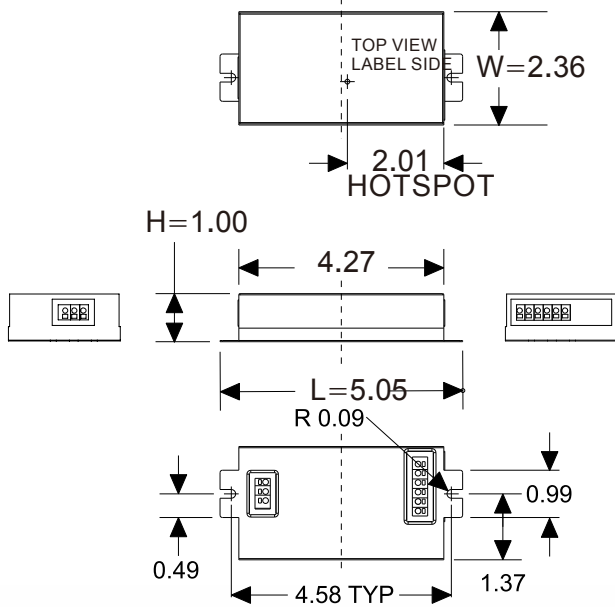


NLT218-400-PH-UNV

NLT218-160-PH-UNV



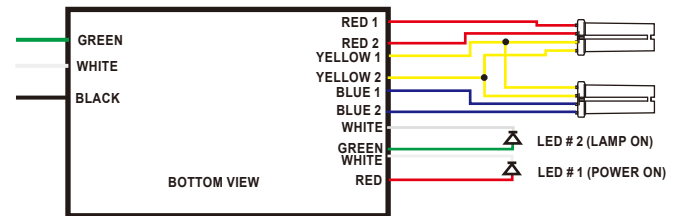
### MECHANICAL DATA



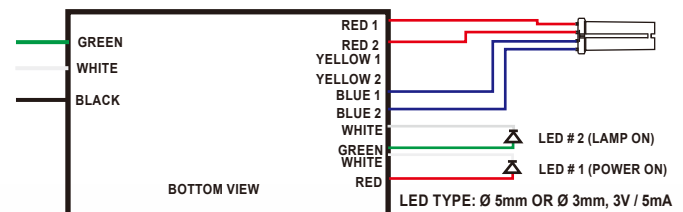
Where : L = Length, W = Width, H = Height

### WIRING DIAGRAMS (Top for 160 mA, Both for 400 mA)

WIRE	BLACK	WHITE	RED	BLUE	YELLOW
LENGTH-INCHES					



NOTE : This Ballast Case Must Be Grounded



Use Wire Rated 300V, 90°C min. Use 18 AWG Solid Copper Wire Only Stripped 3/8"



# NLB2S26PSUNV-C

## Features & Benefits:

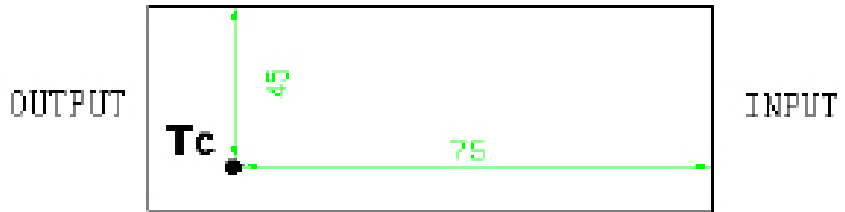
- Line Voltage: 120-277V 50/60Hz
- For use with 260 mA UV Lamps
- Series Lamp Operation
- Lamp End of Life Protection
- Program Start
- Active Power Factor Correction
- Type CC

## Scan QR Code for Spec Sheet & Lamp Compatibility:

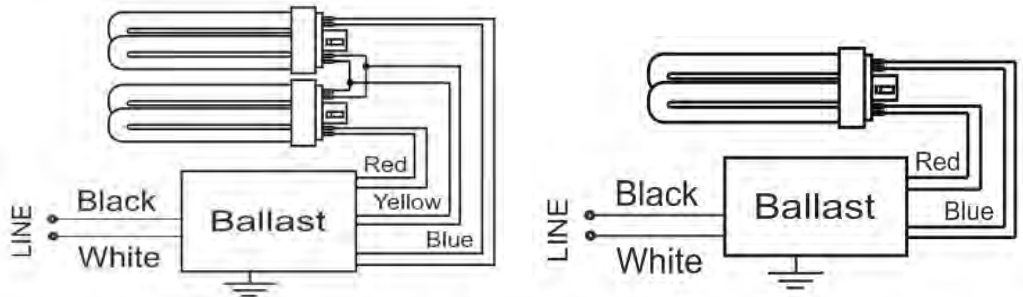


## MECHANICAL DATA (mm)

Length	5.05"	128.3(mm)
Width	2.42"	61.4(mm)
Height	0.9"	23.0(mm)
Mounting	4.66"	118.4(mm)
Weight	0.48 lbs / 220g	



## WIRING DIAGRAM

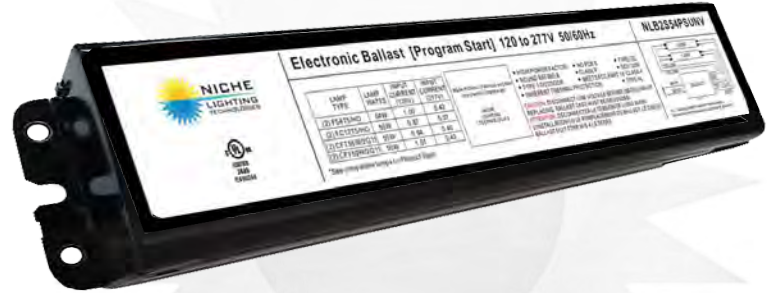




# NLB2S54PSUNV

## Features & Benefits:

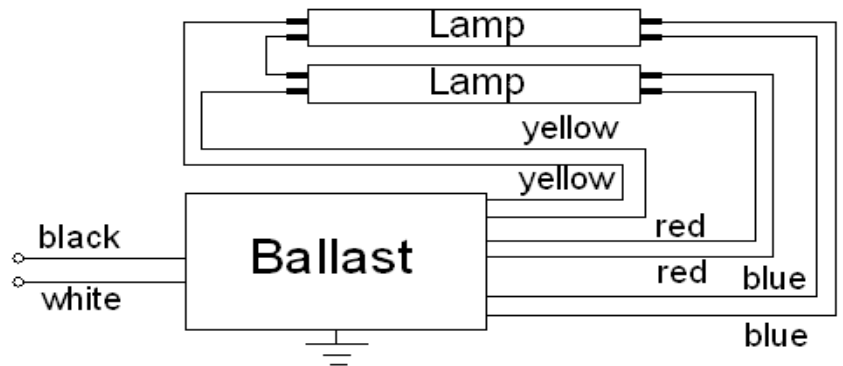
- Line Voltage: 120-277V 50/60Hz
- For use with 425 mA UV Lamps
- Series Lamp Operation
- Lamp End of Life Protection
- Program Start
- Active Power Factor Correction
- Type CC



Scan QR Code for Spec Sheet & Lamp Compatibility:



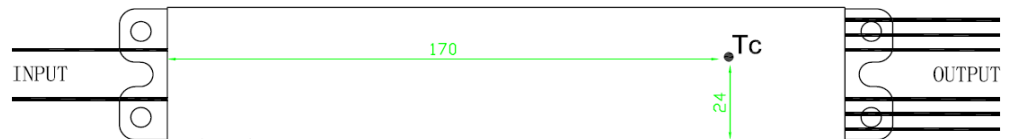
## WIRING DIAGRAM



Note: For one lamp application, cap both yellow leads insulating to 300 volts and connect red and blue leads to each side of one lamp.

## MECHANICAL DATA

L x W x H	9.5" * 1.3" * 1.0" (± 0.1")
Mounting	8.9"
Weight	1.10 lbs
White, Black	25" (± 1")
Yellow	46" (± 1")
Red/ Blue	31" (± 1")





## NLB4P32ISUNVHE

### Features & Benefits:

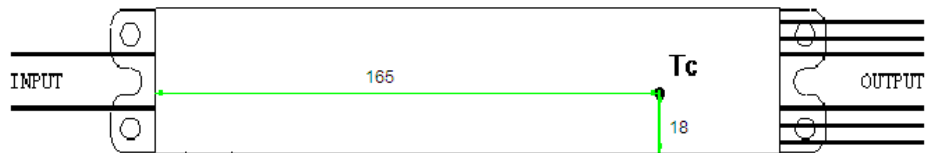
- Line Voltage: 120-277V 50/60Hz
- For use with 425 mA UV Lamps
- Parallel Lamp Operation
- Instant Start
- Active Power Factor Correction

### Scan QR Code for Spec Sheet & Lamp Compatibility:



### MECHANICAL DATA

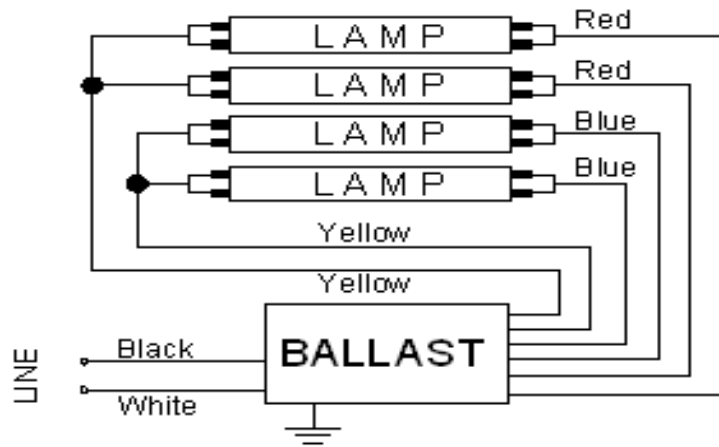
Length	9.5"
Width	1.7"
Height	1.2"
Mounting	8.9"
Weight	1.58 lbs



### LEAD LENGTH

White, Black	25"(±1")
Yellow	46"(±1")
Blue, Red	31"(±1")

### WIRING DIAGRAM



Note: For a three lamp application, cap any blue lead. Insulate to 600 volts.





# NLT141-400-PH-UNV

## Features & Benefits:

- Line Voltage: 120-277V 50/60Hz
- For use with 425 mA UV Lamps
- Lamp End of Life Protection
- Program Start
- Active Power Factor Correction
- Type CC

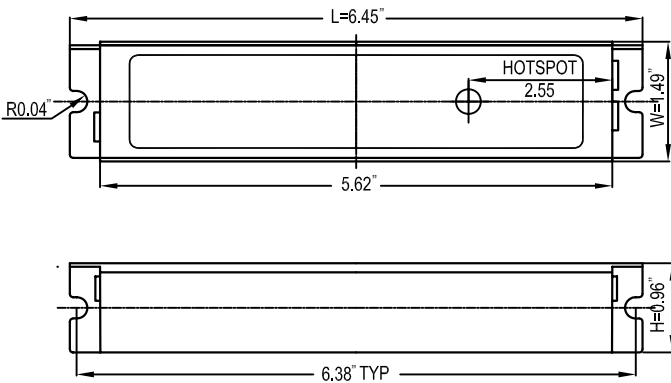


## Scan QR Code for Spec Sheet & Lamp Compatibility:



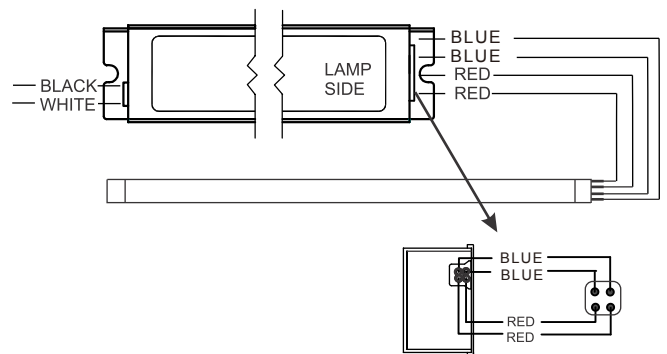
## MECHANICAL DATA

(inch)



## WIRING DIAGRAMS

WIRE	BLACK	WHITE	RED	BLUE
LENGTH - INCHES	12±0.25"	12±0.25"	15±0.25"	15±0.25"



NOTE : This Ballast Must Be Grounded



# NLB1P400PSUNVH NLB1P400PSUNV

## Features & Benefits:

- "UNVH" model for use with 42" to 61" T5 UV Lamps, 400 mA
- "UNV" model for use with 16" to 36" T5 UV Lamps, 400 mA
- For use with 425 mA UV Lamps
- Line Voltage: 120-277V 50/60Hz
- Lamp End of Life Protection
- Program Start
- Active Power Factor Correction
- Type CC



## Scan QR Code for Spec Sheet & Lamp Compatibility:



NLB1P400PSUNVH



NLB1P400PSUNV

## MECHANICAL DATA

Length	9.75"/248mm
Width	1.5"/38mm
Height	1.2"/31mm
Mounting	8.9"/226mm
Weight	1.3 lbs/589g

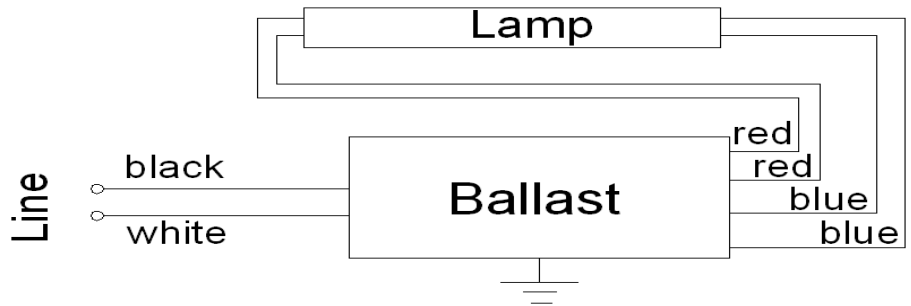
## "UNVH" LEAD LENGTH

White, Black	18"(±1")/457mm
Red/ Blue	47"(±1")/1190mm
	32"(±1")/813mm

## "UNV" LEAD LENGTH

White, Black	18"(±1")/457mm
Red/ Blue	32"(±1")/813mm

## WIRING DIAGRAM





# NLT120-115-UV

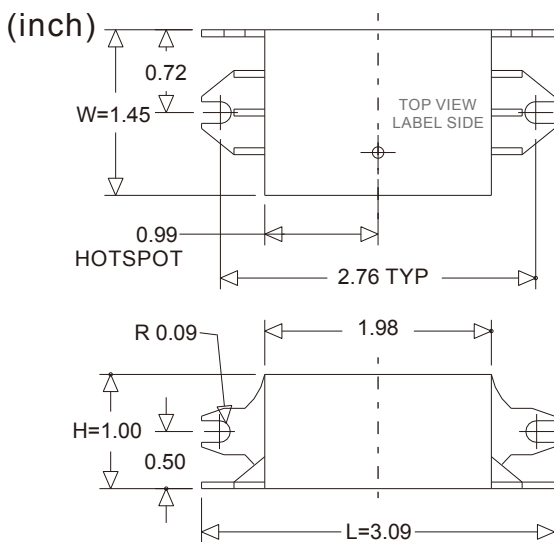
## Features & Benefits:

- Line Voltage: 120VAC, 60Hz
- For use with 425 mA UV Lamps
- Residential Applications
- Lamp End of Life Protection

## Scan QR Code for Spec Sheet & Lamp Compatibility:

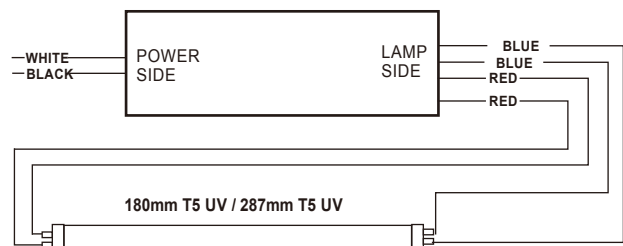


## MECHANICAL DATA



## WIRING DIAGRAMS

WIRE	BLACK	WHITE	RED	BLUE
LENGTH - INCHES	12±1"	12±1"	8±1"	8±1"





# NLT230-287-UV

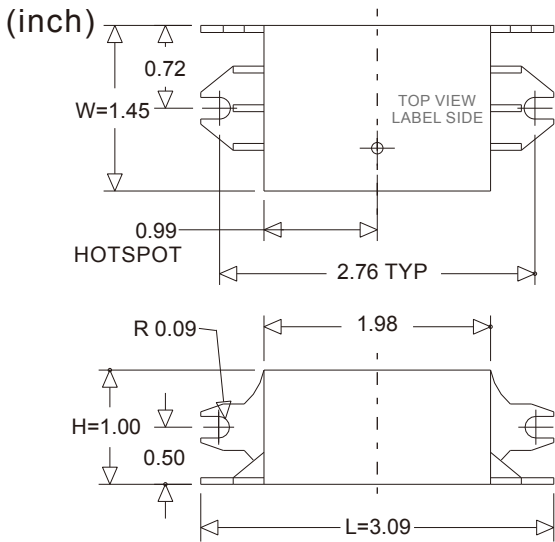
## Features & Benefits:

- Line Voltage: 230VAC, 50/60 Hz
- For use with 425 mA UV Lamps
- Residential Applications
- Lamp End of Life Protection

## Scan QR Code for Spec Sheet & Lamp Compatibility:

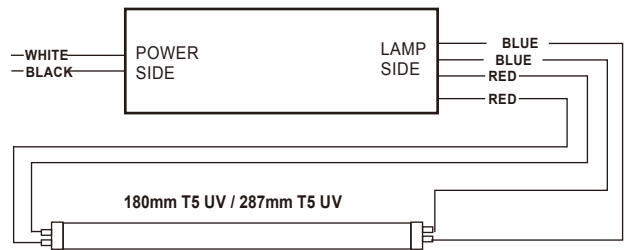


## MECHANICAL DATA



## WIRING DIAGRAMS

WIRE	BLACK	WHITE	RED	BLUE
LENGTH - INCHES	12±1"	12±1"	8±1"	8±1"





# NLT114-PH-24V

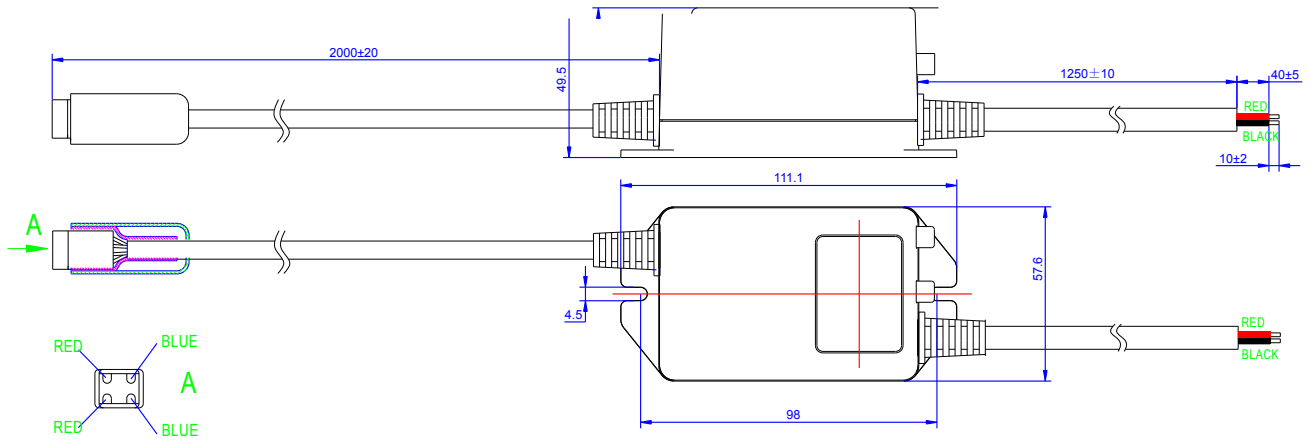
## Features & Benefits:

- Input Voltage: 24VAC or 24VDC
- For use with 425 mA UV Lamps
- UV Lamp Monitor by LED Indicator
- For Use in Air Conditioning Equipment

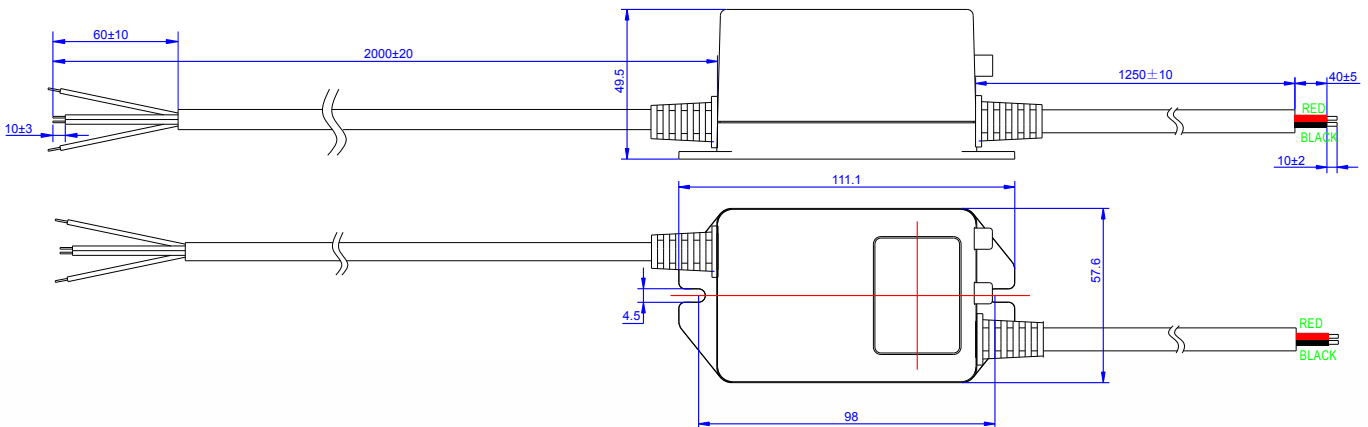
## Scan QR Code for Spec Sheet & Lamp Compatibility:



### MECHANICAL DATA #1



### MECHANICAL DATA #2





# 24VAC Transformer, 40VA

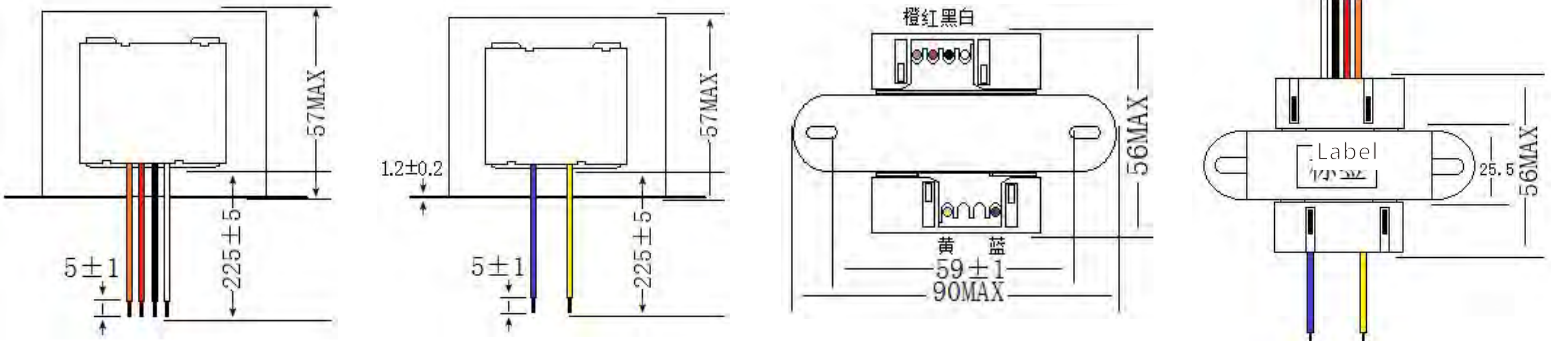
## Features & Benefits:

- Step down from 240/208/120v to 24VAC
- Suitable for use with NLT114-PH-24V Ballast
- For Use in Air Conditioning Equipment
- Operating Temp: -25°C to 70°C
- Storage Temp -25°C to 85°C

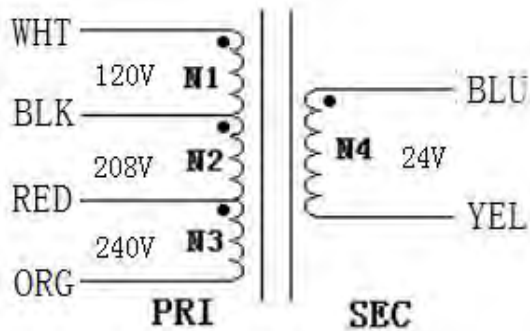
## Scan QR Code for Spec Sheet & Lamp Compatibility:



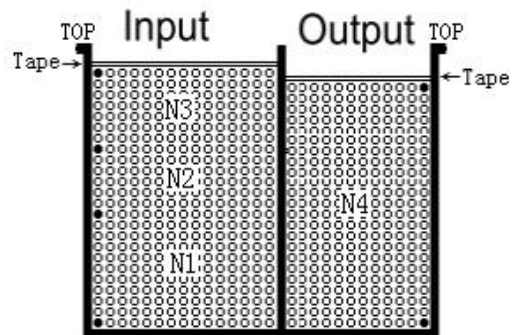
1. Outline Drawing: (mm)



2. Schematic:



3. Construction





# NLT158-800-PH-24V

## Features & Benefits:

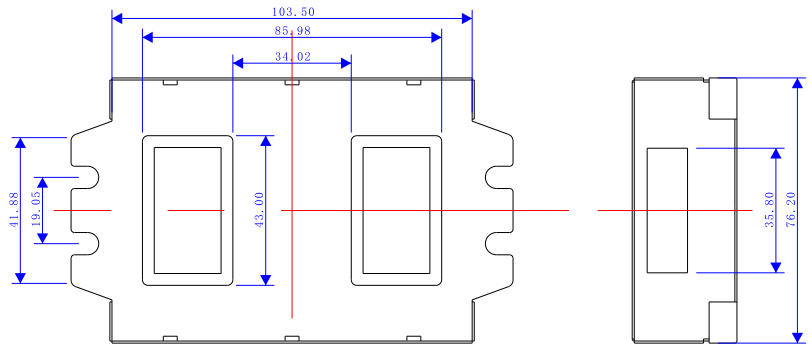
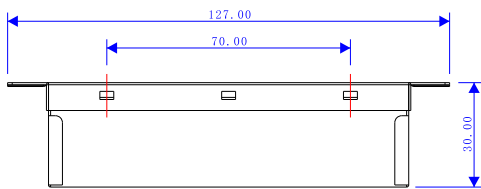
- Approved for UV lamps: 1 or 2 Lamp (28W) GPH212T5HO; 1 Lamp (28W~58W) GPH212T5HO, GPH357T5HO, or GPH645T5HO
- Line Voltage: 24VDC (20-30VDC)
- Program Start
- UL/cUL, Class “P”, Type 1 Outdoor, CE, RoHS

Scan QR Code for Spec Sheet & Lamp Compatibility:

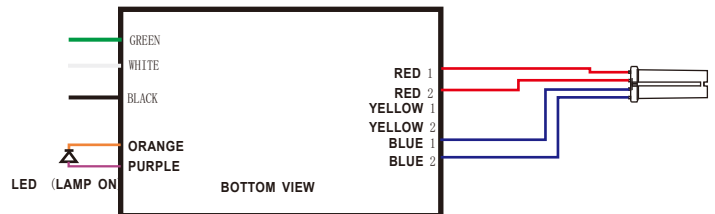
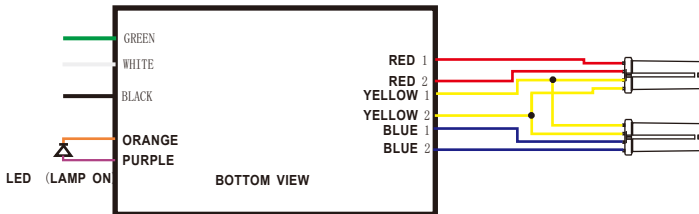


**MECHANICAL DATA**  
Mounting Length:  
127mm

Width: 76 mm  
Height: 30 mm  
Weight: 0.68kg



## WIRING DIAGRAM



LED TYPE: Ø 5mm OR Ø 3mm, 3V / 5mA  
Use Wire Rated 600V, 90°C min. Use 18 AWG Solid Copper Wire Only Stripped 3/8"  
NOTE : This Ballast Case Must Be Grounded



## NLT400U-PH-24V NLT400U-PH-48V

### 24V Features & Benefits:

- Approved for one GPH247T5L(10"), GPH303T5(12"), GPH436T5(17"), PLL18W, PLL36W or TUV 36W/G36T8 lamp
- Line Voltage: 24VDC (20-30VDC)
- Program Start
- UL/cUL, Class "P", Type 1 Outdoor, Type "CC", RoHS

### 48V Features & Benefits:

- Input Voltage: 48VDC Application
- For use with 425 mA UV Lamps
- UV Lamp Monitor by LED Indicator
- Lamp End of Life Protection

### Scan QR Code for Spec Sheet & Lamp Compatibility:

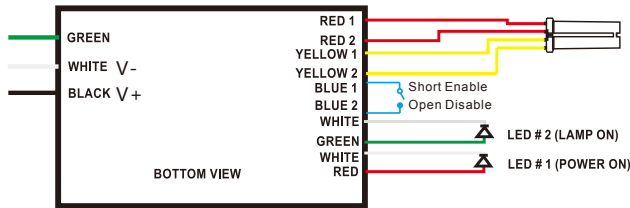


NLT400U-PH-24V

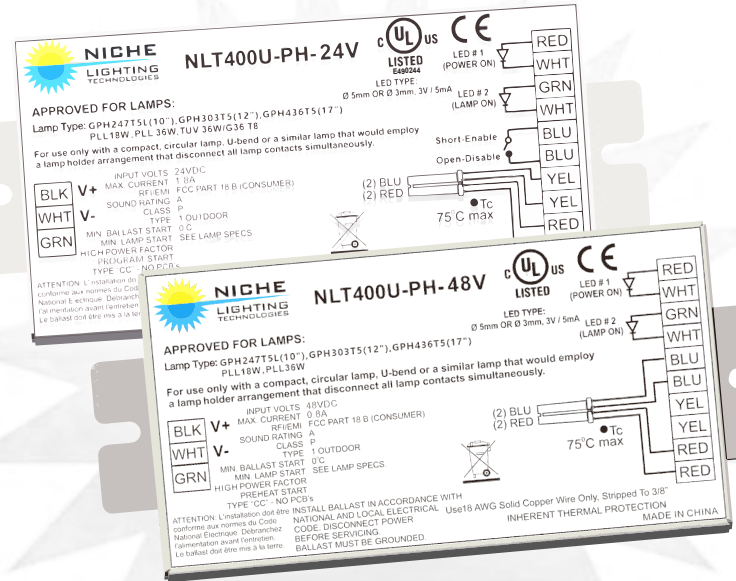
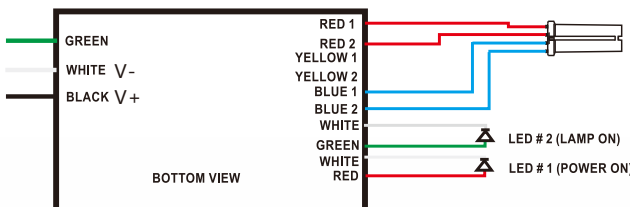


NLT400U-PH-48V

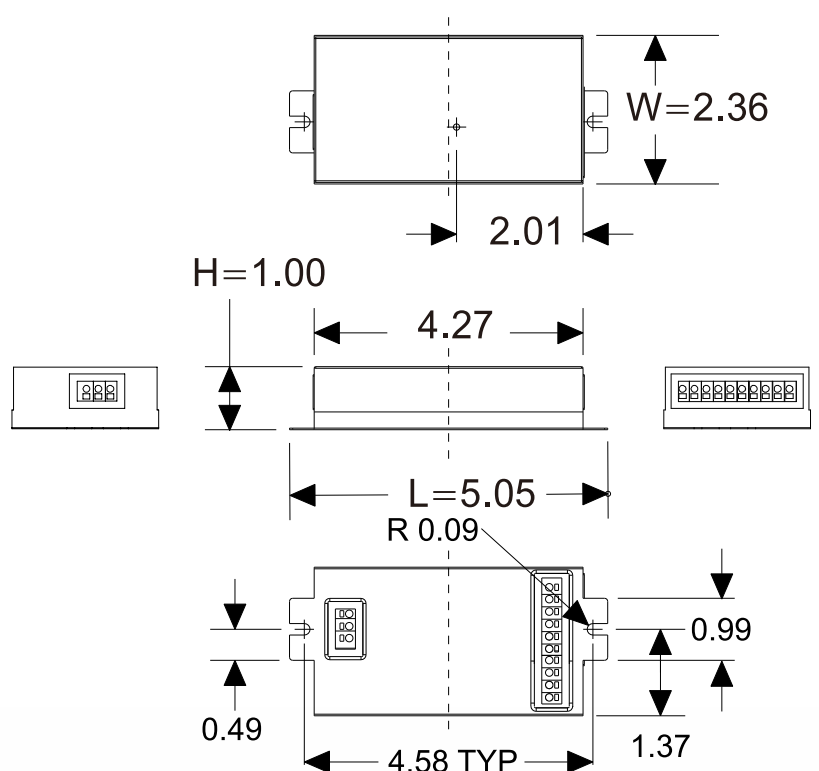
### 24V WIRING DIAGRAM



### 48V WIRING DIAGRAM



### MECHANICAL DATA (Inches)







# NLT203-T2-MLT

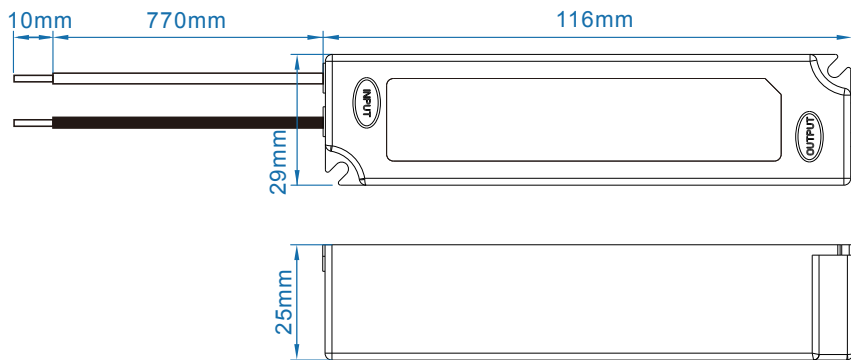
## Features & Benefits:

- Line Voltage: 120-277V 50/60Hz
- For use with 8 mA UV Lamps
- Cold Cathode UV Lamp Applications
- Instant Start

## Scan QR Code for Spec Sheet & Lamp Compatibility:

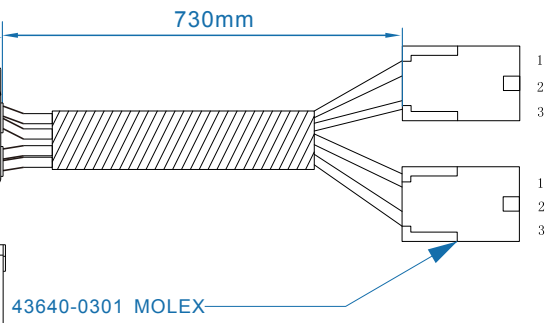


## MECHANICAL DATA



## WIRING DIAGRAMS

WIRE	BLACK	WHITE	RED	BLUE
LENGTH - INCHES	30.3"	30.3"	28.7"	28.7"





## NLT2-160-230 NLT2-180-230

### Features & Benefits:

- Approved for (2) T12 Lamps
- Varieties for both 160W & 180W lamps, as per respective part number
- Line Voltage: 220-240V
- Instant Start
- CE

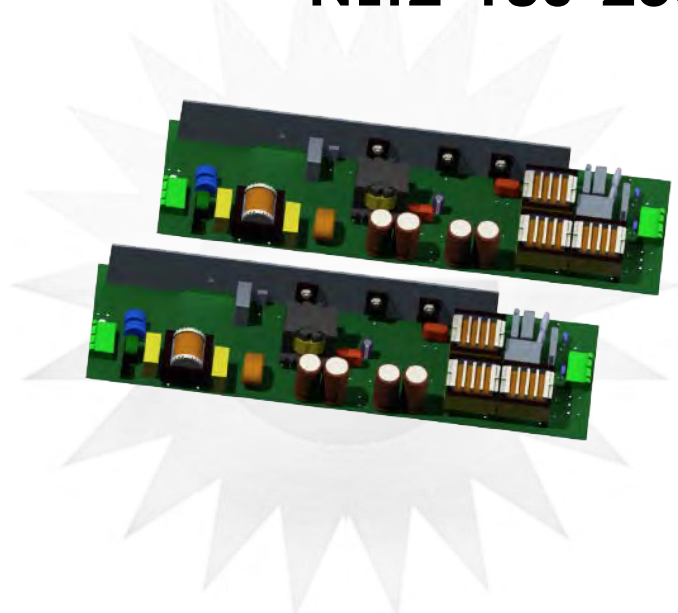
### Scan QR Code for Spec Sheet & Lamp Compatibility:



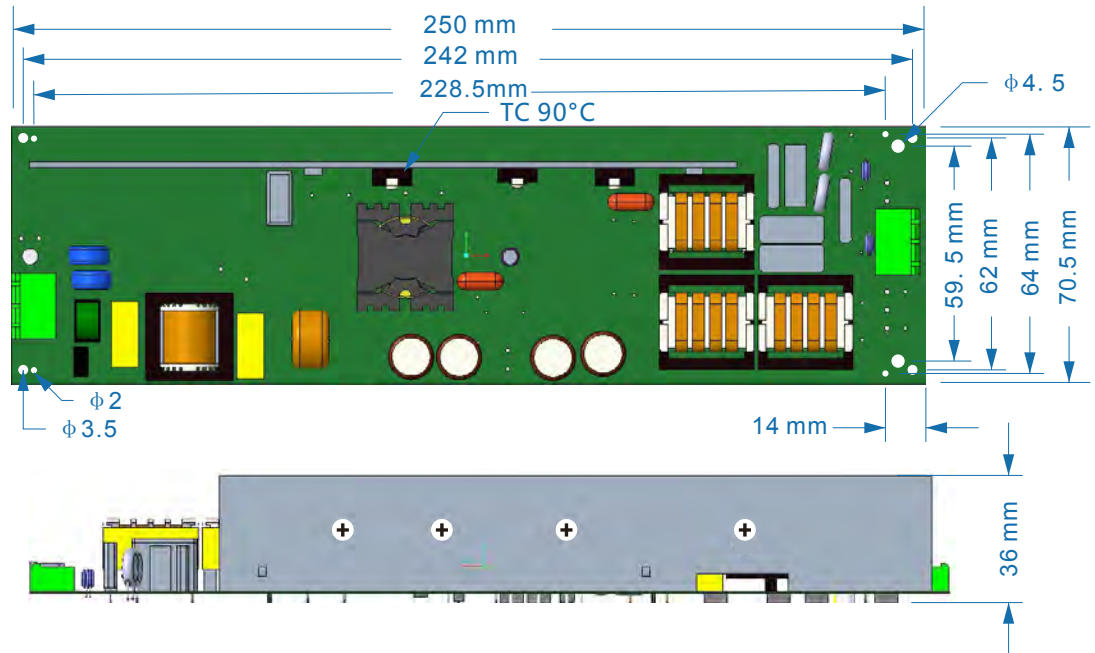
NLT2-160-230



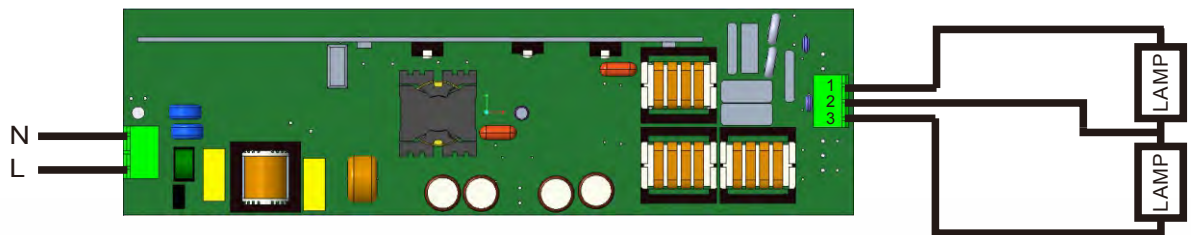
NLT2-180-230



### MECHANICAL DATA



### WIRING DIAGRAM (2-Lamp):





# NLT2-200-230 NLT2-200-230-DALI

## Features & Benefits:

- Approved for (2) T12 Lamps - 200W
- Line Voltage: 220-240V
- Instant Start
- CE
- Non-Dimming & DALI varieties

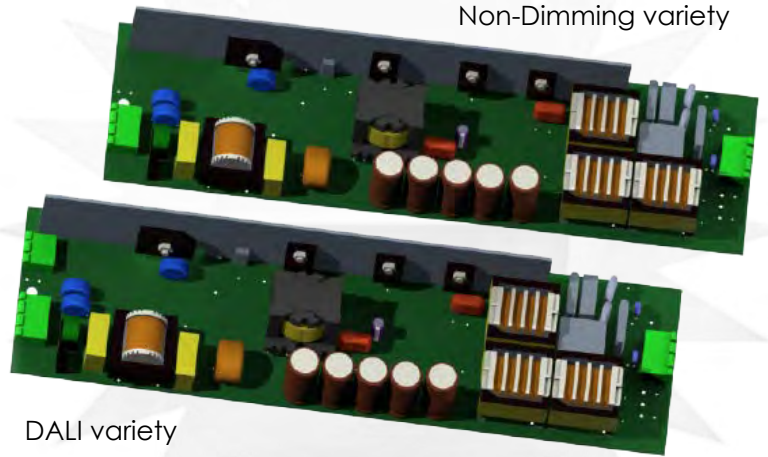
## Scan QR Code for Spec Sheet & Lamp Compatibility:



NLT2-200-230



NLT2-200-230-DALI

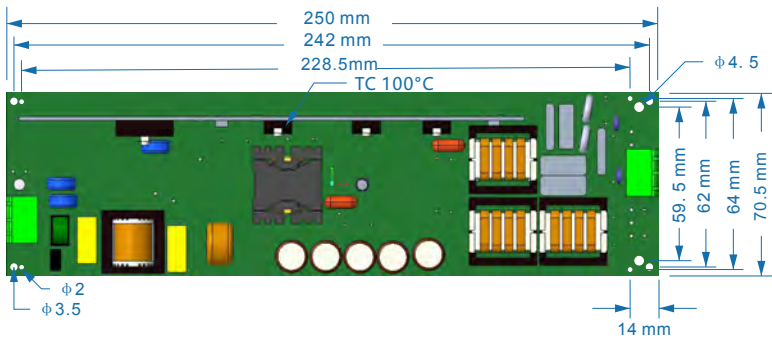


Non-Dimming variety

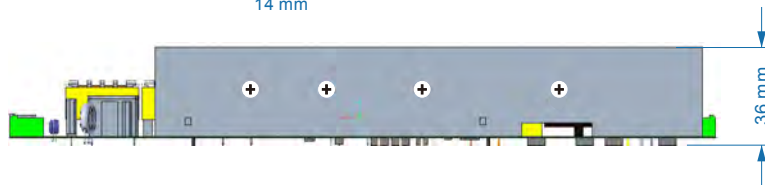
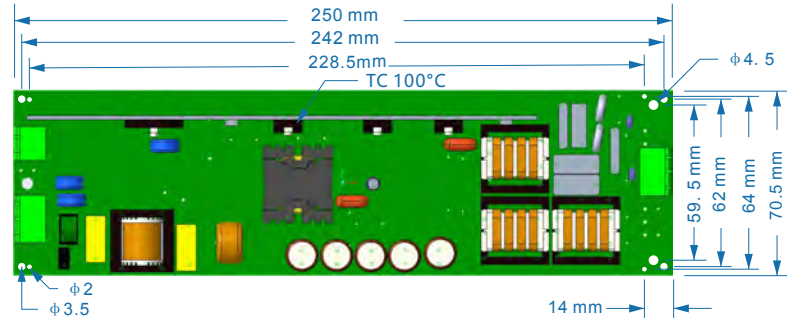
DALI variety

## MECHANICAL DATA

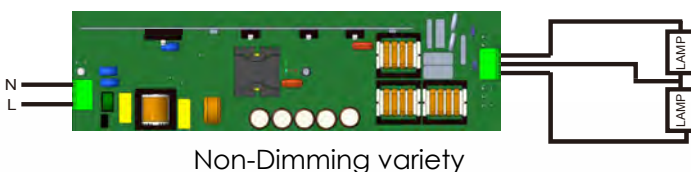
Non-Dimming variety



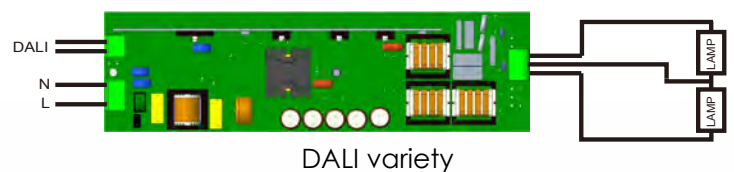
DALI variety



## WIRING DIAGRAM (2-Lamp):



Non-Dimming variety



DALI variety

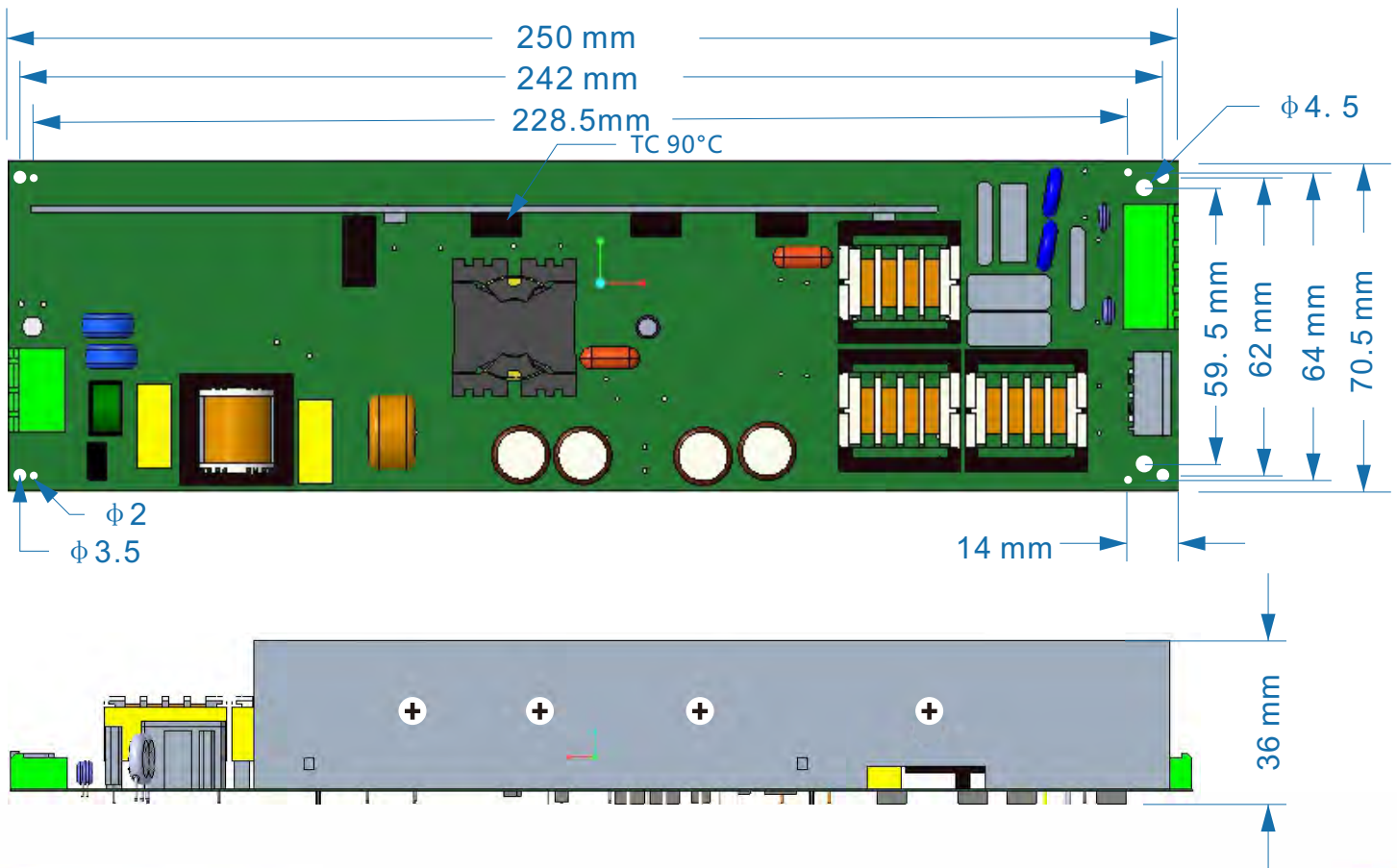
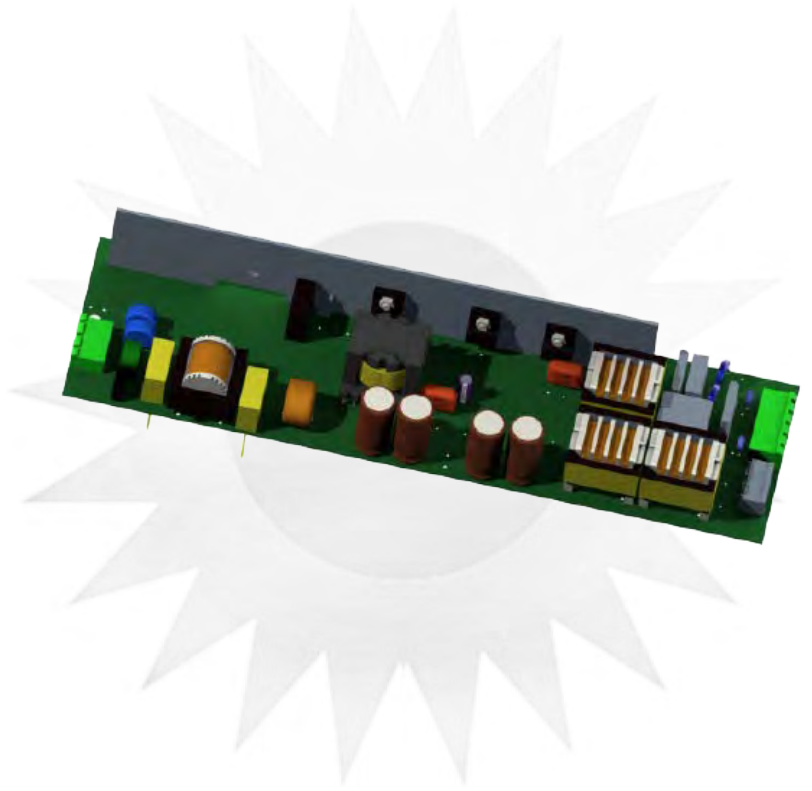


## NLT3-120-230

### Features & Benefits:

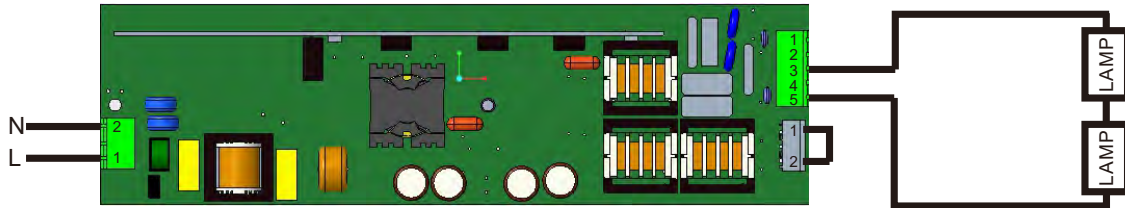
- Approved for (2 or 3) T12 Lamps - 100 or 120W
- Line Voltage: 220-240V
- Instant Start
- CE

Scan QR Code for Spec Sheet & Lamp Compatibility:

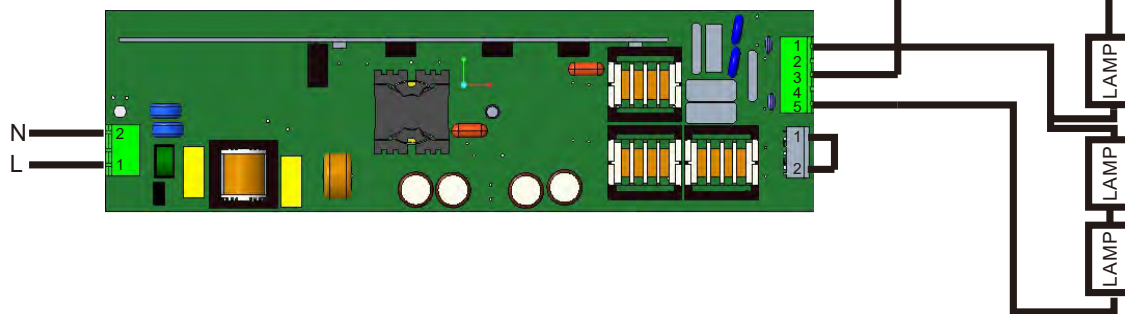


**WIRING DIAGRAMS: (100W/120W)**

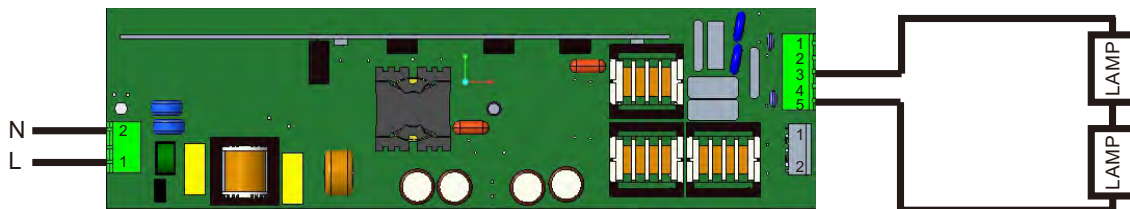
2-LAMP (120W)



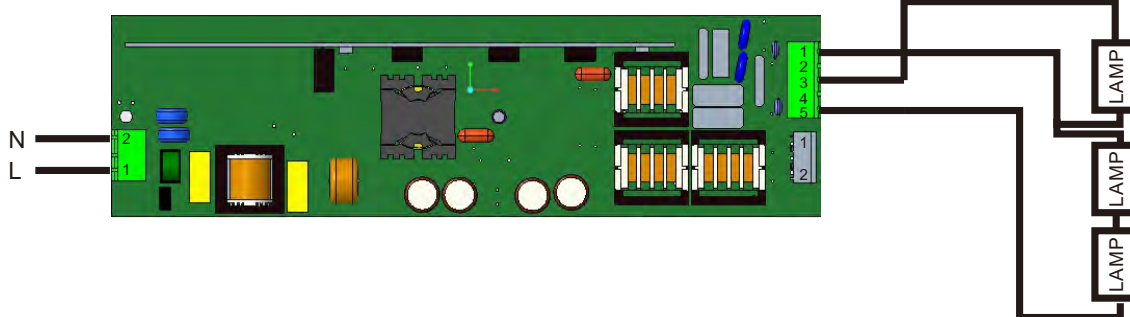
3-LAMP (120W)



2-LAMP (100W)



3-LAMP (100W)





# Warranty / Terms & Conditions



Niche Lighting Technologies offers a standard 5-Year Limited Warranty on most LED products. Please contact the factory and/or spec sheets for details about any given individual product line or to negotiate an extended warranty for incremental fees.

Contact NLT in order to create a Warranty Claim and to obtain the address to send your defective item(s) for inspection and review. Warranty does not cover mis-installed items, items installed by non-qualified technicians, items installed in application settings outside of the ambient operating temperatures of the items, items that were disassembled/re-assembled, etc. Niche Lighting's Limited Warranty is strictly for replacement product or product with equivalent specs and does NOT include labor or installation costs.

For payment terms and conditions, please see invoicing documents.



Niche Lighting Technologies develops and supplies UV and other custom lighting components for specialized applications.

NLT thrives within an underserved gap in the lighting industry where most other manufacturers are either too large or too slow to be effective.

Don't see it? Ask for it!  
Custom components are our specialty!



[linkedin.com/company/nltuv](https://www.linkedin.com/company/nltuv)