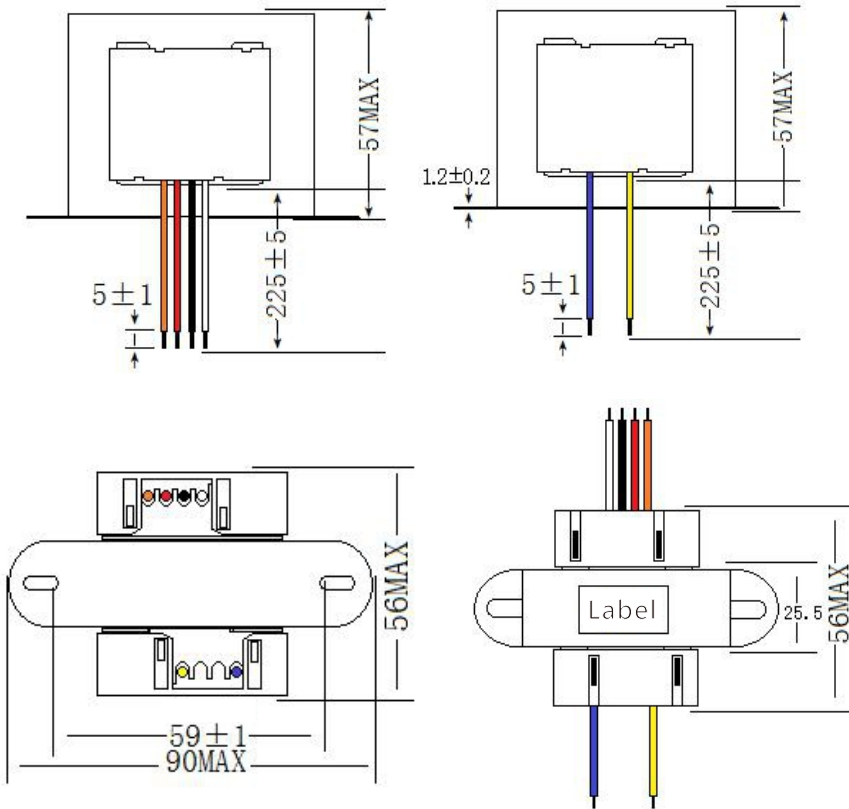
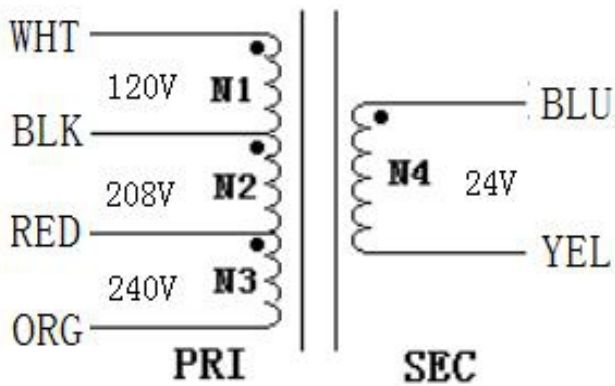


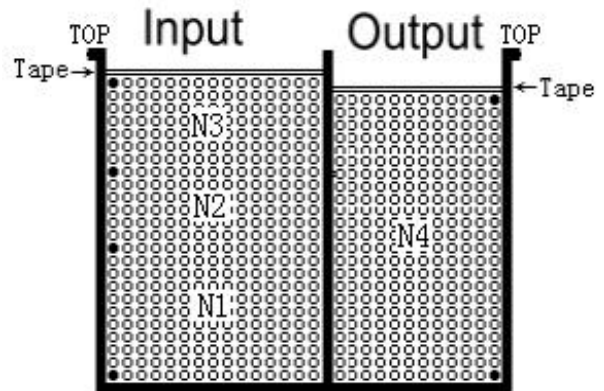
1. Outline Drawing: (unit: mm)



2. Schematic:



3. Construction





4. Electrical Specifications:

ITEM	RESISTANCE		EXCITATION CURRENT	LOSS POWER	OUTPUT VOLTAGE		INSULATION RESISTANCE	HI-POT VOLTAGE
CONDITION	(25°C)		Input:120/208/240VAC ±10%VAC 50/60Hz			DC 500V/1min		1mA/1S/50Hz
TERMINAL	WHT-ORG	BLU-YEL	WHT/BLK/RED/ORG	WHT/BLK/RED/ORG	BLU-YEL		P--S	P--S
					0mA	1.67A		
STANDARD	85±15%	1.3±15%	120 Max	4.5 Max	27.5V±0.5V	24V±0.5V	100MΩ MIN	4200V

5. Notes:

1. Operating Temperature: -25°C to 70°C
2. Storage Temperature: -25°C to 85°C