



# SPECIFICATION SHEET

## NLB4P32ISUNVHE

- Line Voltage: 120-277V 50/60Hz
- Parallel Lamp Operation
- Instant Start
- Active Power Factor Correction



| Lamp Type   |     |       | Min. Start<br>Temp. (F/C) | Vin<br>(V) | Iin<br>(A) | Pin<br>(W) | ATHD<br>≤% | PF<br>≥ | CF<br>≤ | BF   | BEF  |
|-------------|-----|-------|---------------------------|------------|------------|------------|------------|---------|---------|------|------|
| Type        | No. | Watts |                           |            |            |            |            |         |         |      |      |
| *F32T8      | 4   | 32    | 0/-18                     | 120        | 1.24       | 145        | 10         | 0.98    | 1.7     | 1.16 | 0.80 |
| FB32T8      | 4   | 32    | 0/-18                     | 120        | 1.24       | 145        | 10         | 0.98    | 1.7     | 1.16 | 0.80 |
| FB31T8      | 4   | 31    | 0/-18                     | 120        | 1.15       | 137        | 10         | 0.98    | 1.7     | 1.16 | 0.85 |
| FB28T8      | 4   | 28    | 0/-18                     | 120        | 1.05       | 124        | 10         | 0.98    | 1.7     | 1.16 | 0.94 |
| F32T8/ES/30 | 4   | 30    | 0/-18                     | 120        | 1.01       | 120        | 10         | 0.98    | 1.7     | 1.16 | 0.97 |
| F32T8/ES/28 | 4   | 28    | 0/-18                     | 120        | 0.98       | 116        | 10         | 0.98    | 1.7     | 1.16 | 1.00 |
| F32T8/ES/25 | 4   | 25    | 0/-18                     | 120        | 0.96       | 110        | 10         | 0.98    | 1.7     | 1.16 | 1.07 |
| F25T8       | 4   | 25    | 0/-18                     | 120        | 0.92       | 109        | 10         | 0.98    | 1.7     | 1.17 | 1.07 |
| F17T8       | 4   | 17    | 0/-18                     | 120        | 0.63       | 75         | 10         | 0.98    | 1.7     | 1.18 | 1.57 |
| F40T8       | 3   | 40    | 0/-18                     | 120        | 1.22       | 143        | 10         | 0.98    | 1.7     | 1.25 | 0.87 |
| F32T8       | 3   | 32    | 0/-18                     | 120        | 1.01       | 120        | 10         | 0.98    | 1.7     | 1.24 | 1.03 |
| FB32T8      | 3   | 32    | 0/-18                     | 120        | 1.01       | 120        | 10         | 0.98    | 1.7     | 1.24 | 1.03 |
| FB31T8      | 3   | 31    | 0/-18                     | 120        | 0.95       | 113        | 10         | 0.98    | 1.7     | 1.24 | 1.10 |
| FB28T8      | 3   | 28    | 0/-18                     | 120        | 0.87       | 103        | 10         | 0.98    | 1.7     | 1.24 | 1.20 |
| F32T8/ES/30 | 3   | 30    | 0/-18                     | 120        | 0.88       | 105        | 10         | 0.98    | 1.7     | 1.24 | 1.18 |
| F32T8/ES/28 | 3   | 28    | 0/-18                     | 120        | 0.80       | 95         | 10         | 0.98    | 1.7     | 1.24 | 1.31 |
| F32T8/ES/25 | 3   | 25    | 0/-18                     | 120        | 0.77       | 92         | 10         | 0.98    | 1.7     | 1.24 | 1.35 |
| F25T8       | 3   | 25    | 0/-18                     | 120        | 0.75       | 89         | 10         | 0.98    | 1.7     | 1.26 | 1.42 |
| F17T8       | 3   | 17    | 0/-18                     | 120        | 0.52       | 62         | 10         | 0.98    | 1.7     | 1.27 | 2.05 |
| *F32T8      | 4   | 32    | 0/-18                     | 277        | 0.53       | 144        | 10         | 0.98    | 1.7     | 1.16 | 0.81 |
| FB32T8      | 4   | 32    | 0/-18                     | 277        | 0.53       | 144        | 10         | 0.98    | 1.7     | 1.16 | 0.81 |
| FB31T8      | 4   | 31    | 0/-18                     | 277        | 0.49       | 134        | 10         | 0.98    | 1.7     | 1.16 | 0.87 |
| FB28T8      | 4   | 28    | 0/-18                     | 277        | 0.47       | 128        | 10         | 0.98    | 1.7     | 1.16 | 0.91 |
| F32T8/ES/30 | 4   | 30    | 0/-18                     | 277        | 0.47       | 120        | 10         | 0.98    | 1.7     | 1.16 | 0.97 |
| F32T8/ES/28 | 4   | 28    | 0/-18                     | 277        | 0.44       | 115        | 10         | 0.98    | 1.7     | 1.16 | 1.01 |
| F32T8/ES/25 | 4   | 25    | 0/-18                     | 277        | 0.42       | 109        | 10         | 0.98    | 1.7     | 1.16 | 1.06 |
| F25T8       | 4   | 25    | 0/-18                     | 277        | 0.40       | 109        | 10         | 0.98    | 1.7     | 1.17 | 1.07 |
| F17T8       | 4   | 17    | 0/-18                     | 277        | 0.29       | 79         | 10         | 0.97    | 1.7     | 1.18 | 1.49 |
| F40T8       | 3   | 40    | 0/-18                     | 277        | 0.51       | 139        | 10         | 0.98    | 1.7     | 1.25 | 0.90 |
| F32T8       | 3   | 32    | 0/-18                     | 277        | 0.44       | 120        | 10         | 0.98    | 1.7     | 1.24 | 1.03 |
| FB32T8      | 3   | 32    | 0/-18                     | 277        | 0.44       | 120        | 10         | 0.98    | 1.7     | 1.24 | 1.03 |
| FB31T8      | 3   | 31    | 0/-18                     | 277        | 0.40       | 109        | 10         | 0.98    | 1.7     | 1.24 | 1.14 |
| FB28T8      | 3   | 28    | 0/-18                     | 277        | 0.38       | 104        | 10         | 0.98    | 1.7     | 1.24 | 1.19 |
| F32T8/ES/30 | 3   | 30    | 0/-18                     | 277        | 0.37       | 101        | 10         | 0.98    | 1.7     | 1.24 | 1.23 |
| F32T8/ES/28 | 3   | 28    | 0/-18                     | 277        | 0.36       | 98         | 10         | 0.98    | 1.7     | 1.24 | 1.27 |
| F32T8/ES/25 | 3   | 25    | 0/-18                     | 277        | 0.35       | 93         | 10         | 0.98    | 1.7     | 1.24 | 1.33 |
| F25T8       | 3   | 25    | 0/-18                     | 277        | 0.34       | 87         | 10         | 0.97    | 1.7     | 1.26 | 1.45 |
| F17T8       | 3   | 17    | 0/-18                     | 277        | 0.26       | 66         | 10         | 0.95    | 1.7     | 1.27 | 1.92 |



# SPECIFICATION SHEET

## NLB4P32ISUNVHE



Note: The above data is tested at 60Hz.

The lamp with “\*\*” is the main lamp.

The ballast BLE can meet DOE energy conservation standards with main lamp.

Application and Performance Specification Information Subject to Change without Notification.

### Performance

- Meets ANSI Standard C82.11-2002
- Meets ANSI Standard C62.41-2002
- Meets FCC 18 Non-consumer limits
- Meets DOE energy conservation standards

### Safety

- No PCBs, Type HL
- UL&cUL listed (Class P, Type 1 Outdoor)
- OCV 600V

### Application

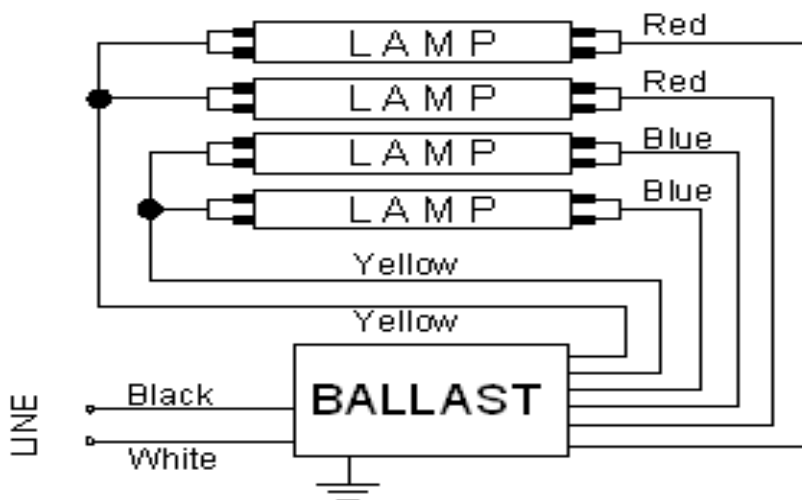
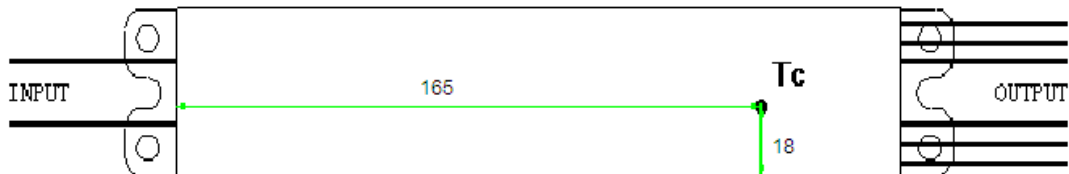
- Remote Mounting: 18 ft. max. Lead length, 18AWG
- Maximum Ambient Temperature: 131°F, 55°C
- Sound Rated: A
- Maximum case temperature Tc: 194°F, 90°C

### Physical Parameters

|          |          |
|----------|----------|
| Length   | 9.5"     |
| Width    | 1.7"     |
| Height   | 1.2"     |
| Mounting | 8.9"     |
| Weight   | 1.58 lbs |

### Lead Length

|              |          |
|--------------|----------|
| White, Black | 25"(±1") |
| Yellow       | 46"(±1") |
| Blue, Red    | 31"(±1") |



Note: For a three lamp application, cap any blue lead. Insulate to 600 volts.