

SPECIFICATION SHEET : NLT1150-800-PH-UNV

Description : NLT1150-800-PH-UNV electronic ballast developed for use with UV lamp applications. This ballast will operate the following lamps.

APPROVED FOR 1 LAMP TYPE
1X65-155W T5,800mA UV LAMPS

GHO645T5LTUV PL-L 60W,GHO36T5L,GHO893T5LO
T5LTC95WHO,TOVCL-246HO-TF,TOVCL-260HO-TF

Warranty: 5 Years.



ELECTRICAL DATA (120V APPLICATION)

INPUT VOLT: 120V ± 10%, 50/60Hz							
LAMP WATTS/TYPE	GHO645T5L	GHO36T5L	GHO893T5LO	T5LTC95WHO	TUVCL-246HO-TF	TUVCL-260HO-TF	
LAMPS OPERATED	1						
INPUT WATTS	62.1	76	95	96	97.2	123.3	
LINE CURRENT:	0.518	0.631	0.8	0.801	0.804	1.027	
POWER FACTOR	0.996	0.997	0.998	0.998	0.998	0.998	
BALLAST FACTOR	1.05	1.05	1.04	1.06	1.06	1.02	
EFFICACY FACTOR	1.15	1.2	1.2	1.2	1.2	0.9	
THD	4.5%	4.1%	4%	4%	4.2%	3.3%	
CURRENT CREST FACTOR	<1.7						
EMI/RFI COMPLIANCE	FCC PART 18-B (Consumer)						
SOUND RATING	" A "						
BALLAST TYPE	PROGRAMMED START						
VOLTAGE TRANSIENTS	ANSI 62.41						
INPUT/PROTECTION	FUSE						
OUTPUT/PROTECTION	EOL						
MIN. OPERATING TEMP	-20°C (-4° F)						
MAX. CASE TEMP	80°C (176°F)						
APPROVALS/CLASS	UL /cUL LISTED, CLASS " P ", TYPE 1 OUTDOOR , CE						

ELECTRICAL DATA (277V APPLICATION)

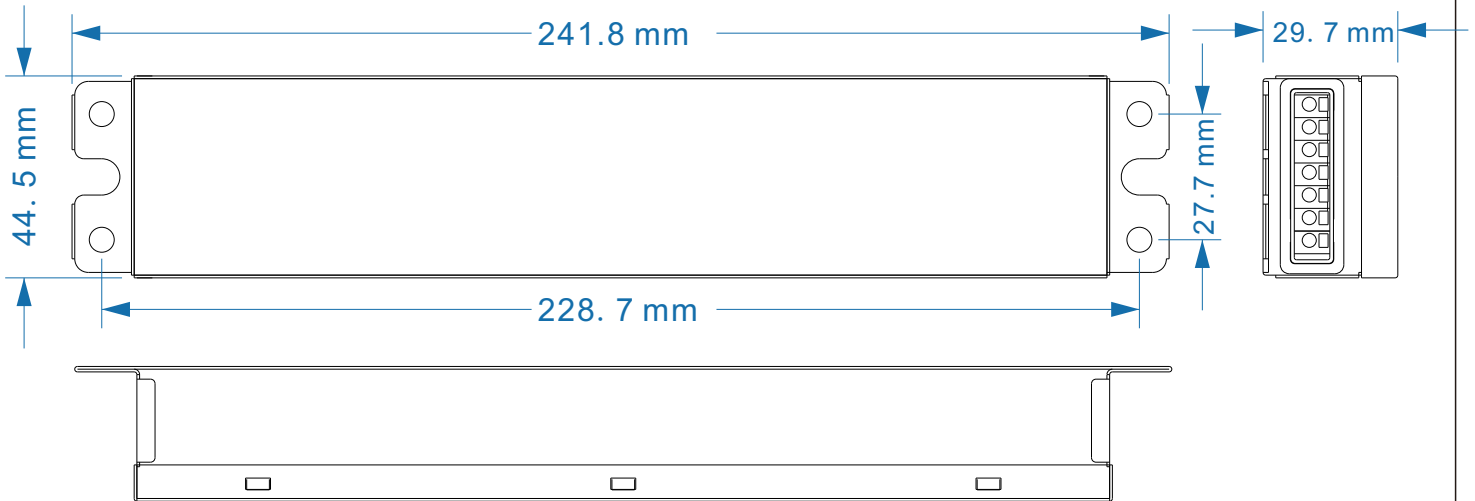
INPUT VOLT: 277V ± 10%, 50/60Hz							
LAMP WATTS/TYPE	GHO645T5L	GHO36T5L	GHO893T5LO	T5LTC95WHO	TUVCL-246HO-TF	TUVCL-260HO-TF	
LAMPS OPERATED	1						
INPUT WATTS	61.5	77.4	96	96.5	95.1	125	
LINE CURRENT:	0.233	0.292	0.358	0.357	0.356	0.457	
POWER FACTOR	0.921	0.95	0.965	0.967	0.974	0.979	
BALLAST FACTOR	1.04	1.04	1.04	1.06	1.06	1.02	
EFFICACY FACTOR	1.1	1.2	1.26	1.2	1.2	0.9	
THD	6.7%	4.7%	4.2%	4.2%	4.5%	3.8%	
CURRENT CREST FACTOR	<1.7						
EMI/RFI COMPLIANCE	FCC PART 18-B (Consumer)						
SOUND RATING	" A "						
BALLAST TYPE	PROGRAMMED START						
VOLTAGE TRANSIENTS	ANSI 62.41						
INPUT/PROTECTION	FUSE						
OUTPUT/PROTECTION	EOL						
MIN. OPERATING TEMP	-20°C (-4° F)						
MAX. CASE TEMP	80°C (176°F)						
APPROVALS/CLASS	UL /cUL LISTED, CLASS " P ", TYPE 1 OUTDOOR , CE						

GIES

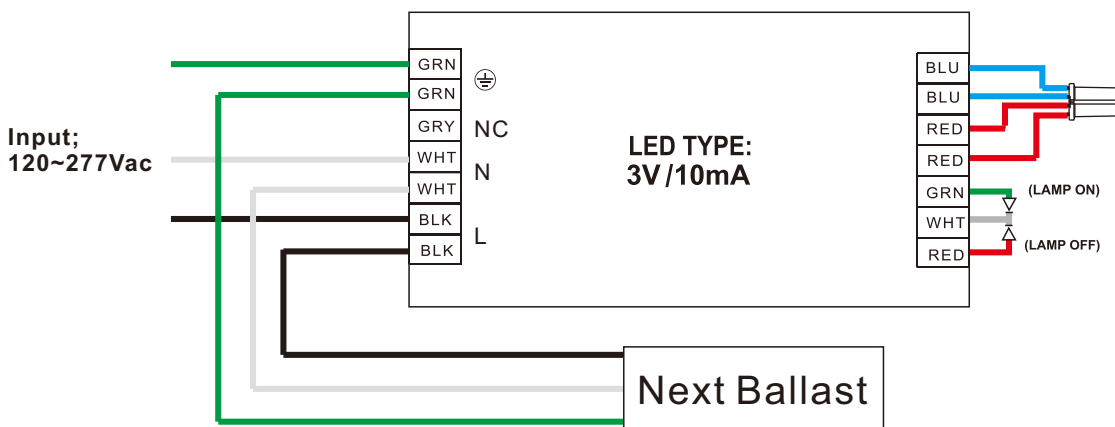
SPECIFICATION SHEET : NLT1150-800-PH-UNV

MECHANICAL DATA

(mm)



Wiring Diagram



2021-0205-JULY Rev A -02