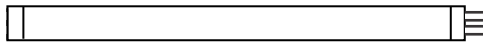




Description: NLT140-800-PH-UNV electronic ballast developed for use with UV lamp applications. This ballast will operate the following lamps.



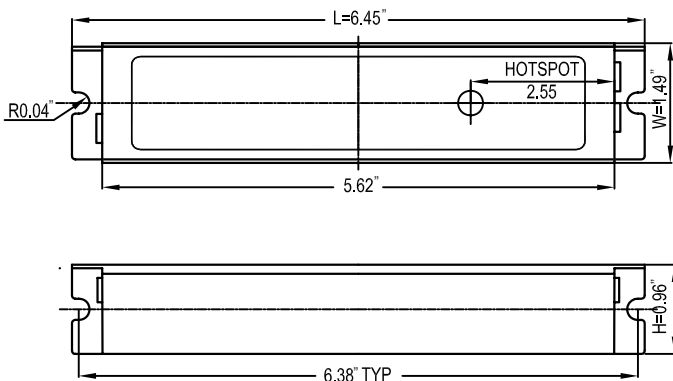
1 X 21-35W T5, 800mA UV LAMPs
OR
1 X GHO212T5/4, GHO287T5/4,
GHO357T5/4

ELECTRICAL DATA

INPUT VOLT	120VAC± 10%, 50/60Hz		
LAMP WATTS/TYPE	GHO212T5L/4	GHO287T5L/4	GHO357T5L/4
LAMP CURRENT	800mA	800mA	800mA
LAMPS OPERATED	1		
INPUT WATTS:(W)	25.0	36.0	41.0
LINE CURRENT:(A)	0.22	0.30	0.32
POWER FACTOR	> 0.99		
THD	< 10%		
EMI/RFI COMPLIANCE	FCC PART 18-B ,EN55015		
SOUND RATING	" A "		
BALLAST TYPE	PREHEATED START		
VOLTAGE TRANSIENTS	ANSI.IEEE C62.41 CLASS A		
INPUT/PROTECTION	FUZE		
OUTPUT/PROTECTION	EOL		
MIN. OPERATING TEMP	0 °C (32 ° F)		
MAX. CASE TEMP	75 °C (167 ° F)		
APPROVALS/CLASS	UL /cUL LISTED, CLASS " P ", Type 1 OUTDOOR, Type CC, Type "CC", Type "HL",ROHS,CE.		

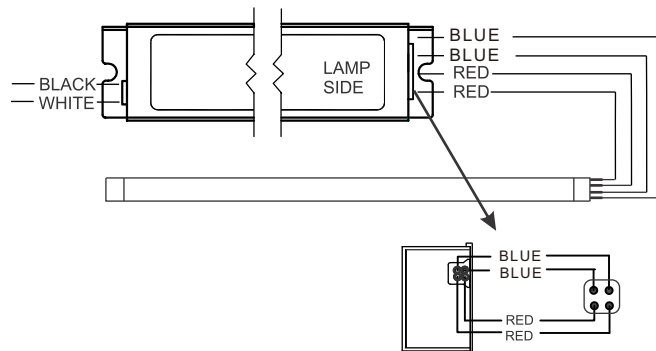
MECHANICAL DATA

(inch)



WIRING DIAGRAMS

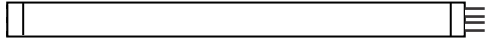
WIRE	BLACK	WHITE	RED	BLUE
LENGTH - INCHES	12±0.25"	12±0.25"	15±0.25"	15±0.25"



NOTE : This Ballast Must Be Grounded

2020-0222-JULY Rev A -01

Description: NLT140-800-PH-UNV electronic ballast developed for use with UV lamp applications. This ballast will operate the following lamps.



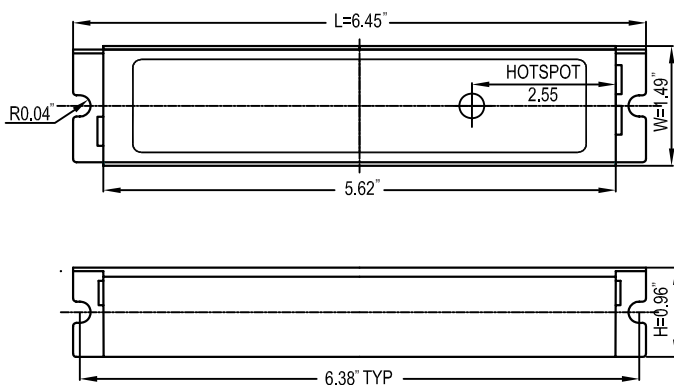
1 X 21-35W T5, 800mA UV LAMPS
OR
1 X GHO212T5/4, GHO287T5/4,
GHO357T5/4

ELECTRICAL DATA

INPUT VOLT	277VAC± 10%, 50/60Hz		
LAMP WATTS/TYPE	GHO212T5L/4	GHO287T5L/4	GHO357T5L/4
LAMP CURRENT	800mA	800mA	800mA
LAMPS OPERATED	1		
INPUT WATTS:(W)	25.0	33.0	41.0
LINE CURRENT:(A)	0.10	0.12	0.15
POWER FACTOR	> 0.90	> 0.93	> 0.96
THD	< 10%		
EMI/RFI COMPLIANCE	FCC PART 18-B ,EN55015		
SOUND RATING	" A "		
BALLAST TYPE	PREHEATED START		
VOLTAGE TRANSIENTS	ANSI.IEEE C62.41 CLASS A		
INPUT/PROTECTION	FUZE		
OUTPUT/PROTECTION	EOL		
MIN. OPERATING TEMP	0 °C (32 °F)		
MAX. CASE TEMP	75 °C (167 °F)		
APPROVALS/CLASS	UL /cUL LISTED, CLASS " P ", Type 1 OUTDOOR, Type CC, Type "CC", Type "HL", RoHS,CE.		

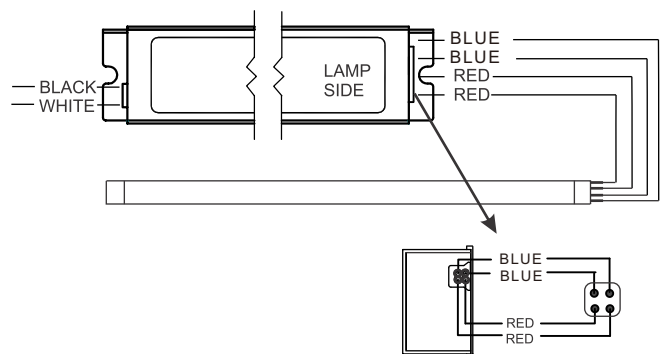
MECHANICAL DATA

(inch)



WIRING DIAGRAMS

WIRE	BLACK	WHITE	RED	BLUE
LENGTH - INCHES	12±0.25"	12±0.25"	15±0.25"	15±0.25"



NOTE : This Ballast Must Be Grounded