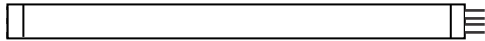




**Description : NLT141-400-PH-UNV electronic ballast developed for use with UV lamp applications. This ballast will operate the following lamps:**



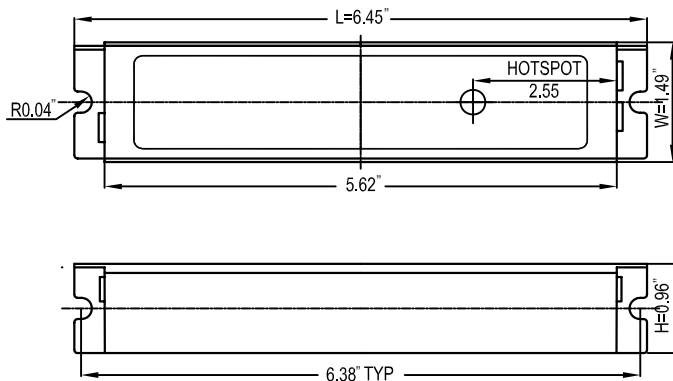
**1 X 10-41W T5, 425mA UV LAMPs  
OR  
1 X GPH212T5L, GPH287T5L, GPH303T5L,  
GPH357T5L, GPH436T5L, GPH793T5L, GPH843T5L**

**ELECTRICAL DATA**

|                        |   |           |           |           |           |           |           |
|------------------------|---|-----------|-----------|-----------|-----------|-----------|-----------|
| INPUT VOLT             | 120VAC± 10%, 50/60Hz  |           |           |           |           |           |           |
| LAMP WATTS/TYPE        | GPH212T5L   | GPH287T5L | GPH303T5L | GPH357T5L | GPH436T5L | GPH793T5L | GPH843T5L |
| LAMP CURRENT           | 425mA   | 425mA     | 425mA     | 425mA     | 425mA     | 425mA     | 425mA     |
| LAMPS OPERATED         | 1   |           |           |           |           |           |           |
| INPUT WATTS:(W)        | 12.0  | 17.0      | 17.0      | 21.0      | 25.0      | 39.0      | 40.0      |
| LINE CURRENT:(A)       | 0.10  | 0.14      | 0.14      | 0.17      | 0.21      | 0.32      | 0.33      |
| POWER FACTOR           | >0.98   | >0.99     | >0.99     | >0.99     | >0.99     | >0.99     | >0.99     |
| THD                    | <15%  | <15%      | <15%      | <10%      | <10%      | <10%      | <10%      |
| EMI/RFI COMPLIANCE     | FCC PART 18-B ,EN55015  |           |           |           |           |           |           |
| SOUND RATING           | " A "   |           |           |           |           |           |           |
| BALLAST TYPE           | PREHEATED START   |           |           |           |           |           |           |
| VOLTAGE TRANSIENTS     | ANSI.IEEE C62.41 CLASS A  |           |           |           |           |           |           |
| INPUT/PROTECTION       | FUSE  |           |           |           |           |           |           |
| OUTPUT/PROTECTION      | EOL   |           |           |           |           |           |           |
| MIN. OPERATING TEMP    | 0 °C ( 32 ° F )   |           |           |           |           |           |           |
| MAX. CASE TEMP         | 75 °C ( 167 ° F )   |           |           |           |           |           |           |
| POWER FACTOR CORRECTED | @277V WHEN USING LAMP TYPES HAS POWER LESS THAN 32 W                                |           |           |           |           |           |           |
| APPROVALS/CLASS        | UL /cUL LISTED, CLASS " P ", Type 1 OUTDOOR, Type CC, Type "CC", Type "HL",ROHS,CE. |           |           |           |           |           |           |

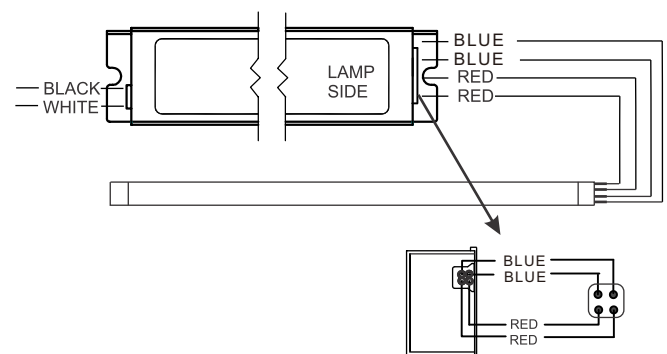
**MECHANICAL DATA**

(inch)



**WIRING DIAGRAMS**

|                 |          |          |          |          |
|-----------------|----------|----------|----------|----------|
| WIRE            | BLACK    | WHITE    | RED      | BLUE     |
| LENGTH - INCHES | 12±0.25" | 12±0.25" | 15±0.25" | 15±0.25" |



**NOTE : This Ballast Must Be Grounded**

2020-0222-JULY Rev A -01

**Description :** NLT141-400-PH-UNV electronic ballast developed for use with UV lamp applications. This ballast will operate the following lamps.

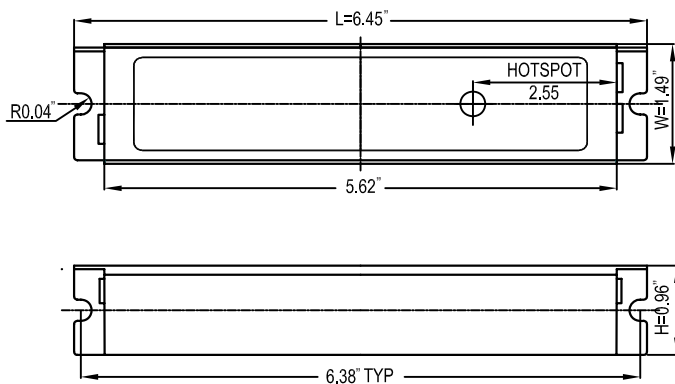
1 X 10-41W T5, 425mA UV LAMPS  
OR  
1 X GPH212T5L, GPH287T5L, GPH303T5L,  
GPH357T5L, GPH436T5L, GPH793T5L, GPH843T5L



### ELECTRICAL DATA

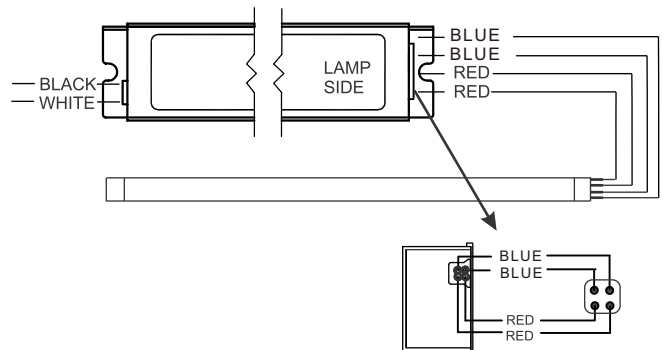
|                        |   |           |           |           |           |           |           |
|------------------------|---|-----------|-----------|-----------|-----------|-----------|-----------|
| INPUT VOLT             | 277VAC± 10%, 50/60Hz  |           |           |           |           |           |           |
| LAMP WATTS/TYPE        | GPH212T5L   | GPH287T5L | GPH303T5L | GPH357T5L | GPH436T5L | GPH793T5L | GPH843T5L |
| LAMP CURRENT           | 425mA   | 425mA     | 425mA     | 425mA     | 425mA     | 425mA     | 425mA     |
| LAMPS OPERATED         | 1   |           |           |           |           |           |           |
| INPUT WATTS:(W)        | 13.0  | 16.0      | 16.0      | 20.0      | 24.0      | 38.0      | 38.0      |
| LINE CURRENT:(A)       | 0.07  | 0.08      | 0.08      | 0.10      | 0.10      | 0.16      | 0.16      |
| POWER FACTOR           | >0.74   | >0.81     | >0.82     | >0.87     | >0.90     | >0.96     | >0.96     |
| THD                    | <15%  | <10%      | <10%      | <10%      | <10%      | <10%      | <10%      |
| EMI/RFI COMPLIANCE     | FCC PART 18-B ,EN55015  |           |           |           |           |           |           |
| SOUND RATING           | " A "   |           |           |           |           |           |           |
| BALLAST TYPE           | PREHEATED START   |           |           |           |           |           |           |
| VOLTAGE TRANSIENTS     | ANSI.IEEE C62.41 CLASS A  |           |           |           |           |           |           |
| INPUT/PROTECTION       | FUSE  |           |           |           |           |           |           |
| OUTPUT/PROTECTION      | EOL   |           |           |           |           |           |           |
| MIN. OPERATING TEMP    | 0 °C ( 32 °F )  |           |           |           |           |           |           |
| MAX. CASE TEMP         | 75 °C ( 167 °F )  |           |           |           |           |           |           |
| POWER FACTOR CORRECTED | @277V WHEN USING LAMP TYPES HAS POWER LESS THAN 32 W                                  |           |           |           |           |           |           |
| APPROVALS/CLASS        | UL /cUL LISTED, CLASS " P ", Type 1 OUTDOOR, Type CC, Type "CC", Type "HL", ROHS, CE. |           |           |           |           |           |           |

### MECHANICAL DATA (inch)



### WIRING DIAGRAMS

| WIRE            | BLACK    | WHITE    | RED      | BLUE     |
|-----------------|----------|----------|----------|----------|
| LENGTH - INCHES | 12±0.25" | 12±0.25" | 15±0.25" | 15±0.25" |



NOTE : This Ballast Must Be Grounded

2020-0222-JULY Rev A -02