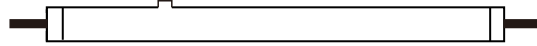


Description: NLT203-T2-MLT, High frequency electronic,

Cold Cathode fluorescent ballast, instant start ballast. This ballast will operate the following lamps:

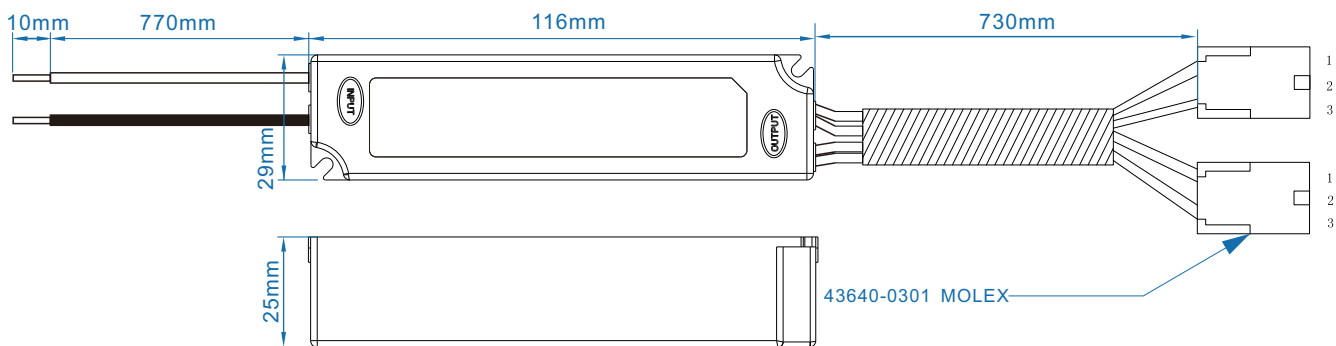
**2 X ZL5-217W
OR
2 X ZL05215W-Z**



ELECTRICAL DATA

INPUT VOLT	120VAC±10% 50/60Hz		277VAC±10% 50/60Hz	
LAMP WATTS/TYPE	ZL5-217W	ZL05215W-Z	ZL5-217W	ZL05215W-Z
LAMP CURRENT	8.6±0.5	8.0±0.5	8.6±0.5	8.0±0.5
LAMPS OPERATED	2		2	
INPUT WATTS: (W)	7.5W	8.0W	7.5W	8.0W
LINE CURRENT: (A)	0.1A	0.1A	0.06A	0.06A
POWER FACTOR	/	/	/	/
THD	/	/	/	/
EMI/RFI COMPLIANCE	FCC PART 18-A			
SOUND RATING	" A "			
BALLAST TYPE	INSTANT START			
VOLTAGE TRANSIENTS	ANSI 62.41			
INPUT/PROTECTION	FUSE			
OUTPUT/PROTECTION	NONE			
MIN. OPERATING TEMP	-10 °C (14 °F)			
MAX. CASE TEMP	75 °C (167 °F)			
POWER FACTOR CORRECTED	/			
APPROVALS/CLASS	UL			

MECHANICAL DATA



WIRING DIAGRAMS

WIRE	BLACK	WHITE	RED	BLUE
LENGTH - INCHES	30.3"	30.3"	28.7"	28.7"