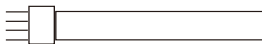


**Description : NLT295-800-PH-UNV electronic ballast developed for use with UV lamp applications.**

**This ballast will operate the following lamps.**



**APPROVED FOR UV LAMPS**  
**1 OR 2 (95W) -T5,GHO357T5L,GHO645T5L**  
**GHO893T5LO,T5LTC95WHO**  
**TUV PL-L 60W,GHO36T5L/HO**  
**1 LAMP ONLY:155W-T5,**  
**GHO64T5L/HO**  
**Warranty: 5 Years.**

**ELECTRICAL DATA (120V APPLICATION)**

INPUT VOLT: 120V ± 10%, 50/60Hz							
LAMP WATTS/TYPE	GHO64T5L	GHO893T5L	GHO36T5L	GHO645T5L	TUV PL-L 60W	GPH357T5L/HO	T5LTC95WHO
LAMPS OPERATED	1						
INPUT WATTS	134	91	80	76	51	35	92
LINE CURRENT:	1.12	0.76	0.67	0.639	0.43	0.293	0.77
POWER FACTOR	0.99	0.99	0.99	0.99	0.99	0.97	0.99
BALLAST FACTOR	1.01	1.05	1.05	1.04	1.06	1.06	1.05
EFFICACY FACTOR	0.74	1.15	1.2	1.2	2.0	3.0	1.1
THD	5.8%	7.2%	7.8%	8.3%	11%	13%	7.8%
CURRENT CREST FACTOR	<1.7						
EMI/RFI COMPLIANCE	FCC PART 18-B (Consumer)						
SOUND RATING	" A "						
BALLAST TYPE	PROGRAMMED START						
VOLTAGE TRANSIENTS	ANSI 62.41						
INPUT/PROTECTION	FUSE						
OUTPUT/PROTECTION	EOL						
MIN. OPERATING TEMP	-20°C ( -4° F )						
MAX. CASE TEMP	80°C ( 176°F )						
APPROVALS/CLASS	UL /cUL LISTED, CLASS " P ", TYPE 1 OUTDOOR , CE						



**ELECTRICAL DATA (277V APPLICATION)**

INPUT VOLT: 277V ± 10%, 50/60Hz							
LAMP WATTS/TYPE	GHO64T5L	GHO893T5L	GHO36T5L	GHO645T5L	TUV PL-L 60W	GPH357T5L/HO	T5LTC95WHO
LAMPS OPERATED	1						
INPUT WATTS	129	83	81	75	51	33	90
LINE CURRENT:	0.486	0.33	0.32	0.3	0.24	0.2	0.32
POWER FACTOR	0.96	0.91	0.91	0.9	0.79	0.56	0.91
BALLAST FACTOR	1.0	1.04	1.04	1.04	1.06	1.06	1.04
EFFICACY FACTOR	0.73	1.1	1.2	1.26	1.9	2.8	1.1
THD	11%	11%	11%	11%	29%	59%	11%
CURRENT CREST FACTOR	<1.7						
EMI/RFI COMPLIANCE	FCC PART 18-B (Consumer)						
SOUND RATING	" A "						
BALLAST TYPE	PROGRAMMED START						
VOLTAGE TRANSIENTS	ANSI 62.41						
INPUT/PROTECTION	FUSE						
OUTPUT/PROTECTION	EOL						
MIN. OPERATING TEMP	-20°C ( -4° F )						
MAX. CASE TEMP	80°C ( 176°F )						
APPROVALS/CLASS	UL /cUL LISTED, CLASS " P ", TYPE 1 OUTDOOR , CE						

**ELECTRICAL DATA (120V APPLICATION)**

INPUT VOLT: 120V ± 10%, 50/60Hz						
LAMP WATTS/TYPE	GHO893T5L	GHO36T5L	GHO645T5L	TUV PL-L 60W	GPH357T5L/HO	T5LTC95WHO
LAMPS OPERATED	2					
INPUT WATTS	170	146	145	99	61	172
LINE CURRENT:	1.42	1.22	1.2	0.84	0.51	1.43
POWER FACTOR	0.99	0.99	0.99	0.99	0.98	0.99
BALLAST FACTOR	0.97	0.95	0.95	1.01	1.02	0.97
EFFICACY FACTOR	0.55	0.58	0.63	1.0	1.64	0.55
THD	5.5%	5.8%	5.8%	7%	9.7%	5.5%
CURRENT CREST FACTOR	<1.7					
EMI/RFI COMPLIANCE	FCC PART 18-B (Consumer)					
SOUND RATING	" A "					
BALLAST TYPE	PROGRAMMED START					
VOLTAGE TRANSIENTS	ANSI 62.41					
INPUT/PROTECTION	FUSE					
OUTPUT/PROTECTION	EOL					
MIN. OPERATING TEMP	-20°C ( -4° F )					
MAX. CASE TEMP	80°C ( 176°F )					
APPROVALS/CLASS	UL /cUL LISTED, CLASS " P ", TYPE 1 OUTDOOR , CE					



RoHS  
COMPLIANT

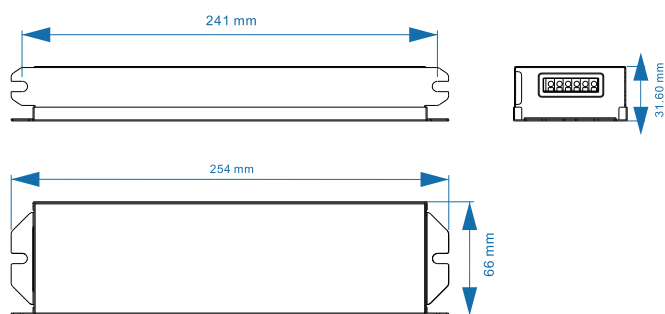


**ELECTRICAL DATA (277V APPLICATION)**

INPUT VOLT: 277V ± 10%, 50/60Hz						
LAMP WATTS/TYPE	GHO893T5L	GHO36T5L	GHO645T5L	TUV PL-L 60W	GPH357T5L/HO	T5LTC95WHO
LAMPS OPERATED	2					
INPUT WATTS	166	144	142	98	63	164
LINE CURRENT:	0.61	0.54	0.53	0.37	0.26	0.61
POWER FACTOR	0.98	0.96	0.96	0.91	0.88	0.97
BALLAST FACTOR	0.93	0.95	0.95	1.01	1.02	0.93
EFFICACY FACTOR	0.56	0.59	0.64	1.0	1.6	0.55
THD	9%	10.9%	11%	11%	11%	9%
CURRENT CREST FACTOR	<1.7					
EMI/RFI COMPLIANCE	FCC PART 18-B (Consumer)					
SOUND RATING	"A"					
BALLAST TYPE	PROGRAMMED START					
VOLTAGE TRANSIENTS	ANSI 62.41					
INPUT/PROTECTION	FUZE					
OUTPUT/PROTECTION	EOL					
MIN. OPERATING TEMP	-20°C ( -4° F )					
MAX. CASE TEMP	80°C ( 176°F )					
APPROVALS/CLASS	UL /cUL LISTED, CLASS " P ", TYPE 1 OUTDOOR , CE					

**MECHANICAL DATA**

(mm)



**WIRING DIAGRAM**

