



Description: NLT295-950-PH-UNV electronic ballast developed for use with UV lamp applications. This ballast will operate the following lamps:

APPROVED FOR UV LAMPS

1 OR 2
GPH1016T6L; GPH762T6L; GPH457T6L
GPH610T6L

1 LAMP ONLY:
GPH1524T6L; GPH1270T6L

Warranty: 5 Years.



ELECTRICAL DATA (120V APPLICATION)

INPUT VOLT: 120V ± 10%, 50/60Hz						
LAMP WATTS/TYPE	GPH1524T6L	GPH1270T6L	GPH1016T6L	GPH762T6L	GPH610T6L	GPH457T6L
LAMPS OPERATED	1					
INPUT WATTS	151	118	96	73	61	49
LINE CURRENT:	1.25	0.98	0.8	0.61	0.51	0.41
POWER FACTOR	0.999	0.999	0.998	0.997	0.996	0.994
BALLAST FACTOR	0.94	0.95	0.95	0.96	0.96	0.96
EFFICACY FACTOR	0.62	0.80	0.99	1.32	1.58	1.96
THD	5%	5%	5%	7%	8%	9%
CURRENT CREST FACTOR	<1.7					
EMI/RFI COMPLIANCE	FCC PART 18-B (Consumer)					
SOUND RATING	" A "					
BALLAST TYPE	PROGRAMMED START					
VOLTAGE TRANSIENTS	ANSI 62.41					
INPUT/PROTECTION	FUSE					
OUTPUT/PROTECTION	EOL					
MIN. OPERATING TEMP	-20°C (-4° F)					
MAX. CASE TEMP	80°C (176°F)					
APPROVALS/CLASS	UL /cUL LISTED, CLASS " P ", TYPE 1 OUTDOOR , CE					

ELECTRICAL DATA (277V APPLICATION)

INPUT VOLT: 277V ± 10%, 50/60Hz						
LAMP WATTS/TYPE	GPH1524T6L	GPH1270T6L	GPH1016T6L	GPH762T6L	GPH610T6L	GPH457T6L
LAMPS OPERATED	1					
INPUT WATTS	147	116	95	73	62	50
LINE CURRENT:	0.53	0.43	0.36	0.28	0.25	0.21
POWER FACTOR	0.981	0.968	0.958	0.922	0.898	0.864
BALLAST FACTOR	0.94	0.95	0.95	0.96	0.96	0.96
EFFICACY FACTOR	0.64	0.81	1.00	1.31	1.55	1.91
THD	11%	13%	16%	21%	25%	27%
CURRENT CREST FACTOR	<1.7					
EMI/RFI COMPLIANCE	FCC PART 18-B (Consumer)					
SOUND RATING	" A "					
BALLAST TYPE	PROGRAMMED START					
VOLTAGE TRANSIENTS	ANSI 62.41					
INPUT/PROTECTION	FUSE					
OUTPUT/PROTECTION	EOL					
MIN. OPERATING TEMP	-20°C (-4° F)					
MAX. CASE TEMP	80°C (176°F)					
APPROVALS/CLASS	UL /cUL LISTED, CLASS " P ", TYPE 1 OUTDOOR , CE					

ELECTRICAL DATA (120V APPLICATION)

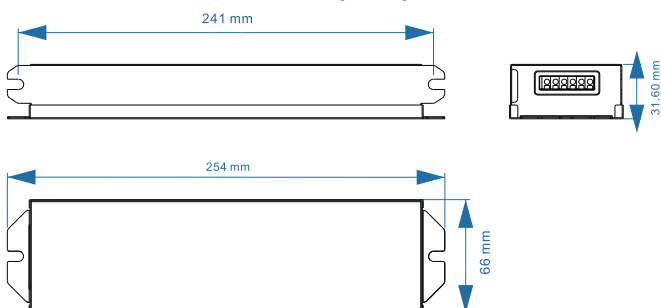


INPUT VOLT: 120V ± 10%, 50/60Hz					
LAMP WATTS/TYPE	GPH1016T6L	GPH762T6L	GPH457T6L	GPH610T6L	
LAMPS OPERATED	2				
INPUT WATTS	170	146	99	120	
LINE CURRENT:	1.42	1.22	0.84	1.0	
POWER FACTOR	0.99	0.99	0.99	0.99	
BALLAST FACTOR	0.97	0.95	1.01	0.97	
EFFICACY FACTOR	0.55	0.58	1.0	0.55	
THD	5.5%	5.8%	7%	5.5%	
CURRENT CREST FACTOR	<1.7				
EMI/RFI COMPLIANCE	FCC PART 18-B (Consumer)				
SOUND RATING	" A "				
BALLAST TYPE	PROGRAMMED START				
VOLTAGE TRANSIENTS	ANSI 62.41				
INPUT/PROTECTION	FUSE				
OUTPUT/PROTECTION	EOL				
MIN. OPERATING TEMP	-20°C (-4° F)				
MAX. CASE TEMP	80°C (176°F)				
APPROVALS/CLASS	UL /cUL LISTED, CLASS " P ", TYPE 1 OUTDOOR , CE				

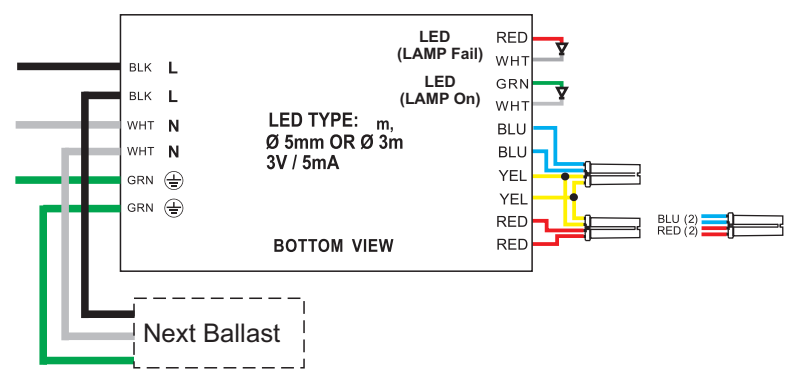
ELECTRICAL DATA (277V APPLICATION)

INPUT VOLT: 277V ± 10%, 50/60Hz					
LAMP WATTS/TYPE	GPH1016T6L	GPH762T6L	GPH457T6L	GPH610T6L	
LAMPS OPERATED	2				
INPUT WATTS	166	144	98	118	
LINE CURRENT:	0.61	0.54	0.37	0.46	
POWER FACTOR	0.98	0.96	0.91	0.94	
BALLAST FACTOR	0.93	0.95	1.01	0.93	
EFFICACY FACTOR	0.56	0.59	1.0	0.55	
THD	9%	10.9%	11%	11%	
CURRENT CREST FACTOR	<1.7				
EMI/RFI COMPLIANCE	FCC PART 18-B (Consumer)				
SOUND RATING	" A "				
BALLAST TYPE	PROGRAMMED START				
VOLTAGE TRANSIENTS	ANSI 62.41				
INPUT/PROTECTION	FUSE				
OUTPUT/PROTECTION	EOL				
MIN. OPERATING TEMP	-20°C (-4° F)				
MAX. CASE TEMP	80°C (176°F)				
APPROVALS/CLASS	UL /cUL LISTED, CLASS " P ", TYPE 1 OUTDOOR , CE				

MECHANICAL DATA (mm)



Wiring Diagram



2021-0205-JULY Rev A -02